

# Modulo FD30 Timber Doorset

## Product Datasheet



### FD30 Configurations

#### Single Doorset

Latched, Single Action, Single Doorset (LSASD)  
 Unlatched, Single Action, Single Doorset (ULSASD)

#### Double Doorset

Latched, Single Action, Double Doorset (LSADD)  
 Unlatched, Single Action, Double Doorset (ULSADD)

### Smoke Rating

Included as standard **BS EN 1634-3:2004**

### Acoustic Rating

ModuCore BB with Dropseal fitted **Up to 30dB (Single doorset only)**

### Door Weights

ModuCore BB (44mm) **24.5 kg/m<sup>2</sup>**

ModuCore PB (44mm) **27.3 kg/m<sup>2</sup>**

### Door Leaves

#### ModuCore BB (Stock)

#### ModuCore PB (To order)

Minimum Height

**1500mm**

**1500mm**

Maximum Height

**2040mm**

**2040mm**

Standard Widths

**326, 426, 457, 492, 526, 533, 560, 592, 610, 626, 660, 692, 711, 726, 762, 792, 810, 826, 838, 861, 892, 914, 926mm**

**326, 426, 457, 492, 526, 533, 560, 592, 610, 626, 660, 692, 711, 726, 762, 792, 810, 826, 838, 861, 892, 914, 926mm**

Door Core



Construction

**Solid timber blockboard core with 4mm MDF facings and ABS Edge-banding**

**Particle board core with HPL facings, hardwood lippings**

**Door Leaf Finishes - Please see end of Datasheet**

**Modulo FD30 Timber Doorset**

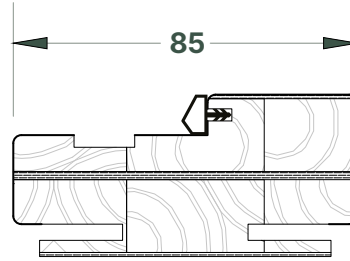
Product Datasheet

**Frame Options**

**85mm wide**

To suit wall thickness from 73mm to 100mm

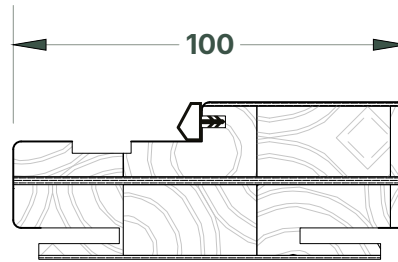
ModuFrame BB (Blockboard)  
FD30



**100mm wide**

To suit wall thickness from 88mm to 115mm

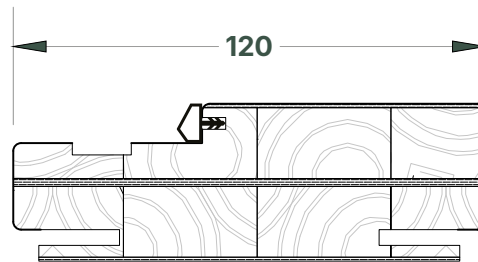
ModuFrame BB (Blockboard)  
FD30



**120mm wide**

To suit wall thickness from 108mm to 135mm

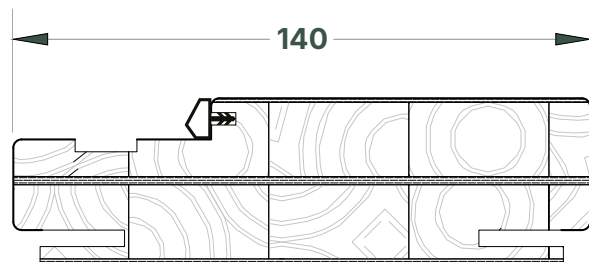
ModuFrame BB (Blockboard)  
FD30



**140mm wide**

To suit wall thickness from 128mm to 155mm

ModuFrame BB (Blockboard)  
FD30



Drawings not to scale

**Frame Finishes**

Stock

RTP

Ready to Paint

To order

CPL Laminate

Light Oak

Mid Oak

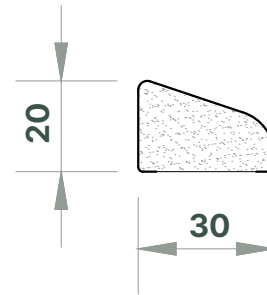
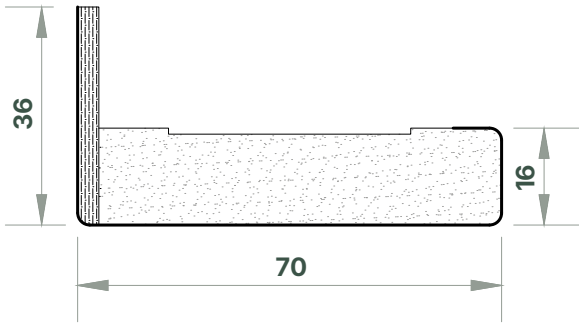
Chalk White

Slate Grey

**Modulo FD30 Timber Doorset**

Product Datasheet

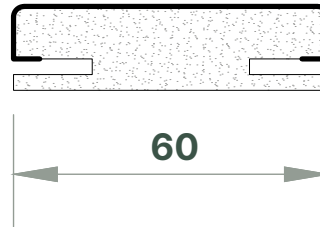
**Architrave** **Quadrant**



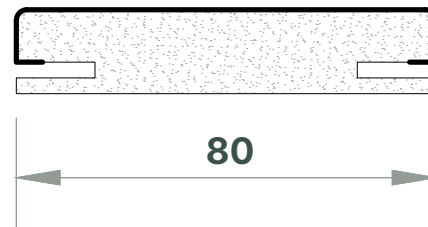
Drawings not to scale

**Extension Linings**

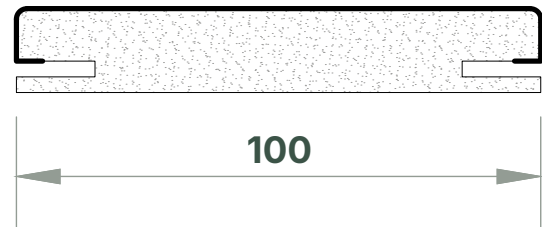
60mm wide  
MDF



80mm wide  
MDF



100mm wide  
MDF



Drawings not to scale

**Architrave, Quadrant & Extension Lining Finishes**

|                 |   |
|-----------------|---|
| <b>Stock</b>    | RTP <input type="radio"/> Ready to Paint  |
| <b>To order</b> | CPL Laminate <input type="radio"/> Light Oak <input type="radio"/> Mid Oak <input type="radio"/> Chalk White <input type="radio"/> Slate Grey |

## Modulo FD30 Timber Doorset

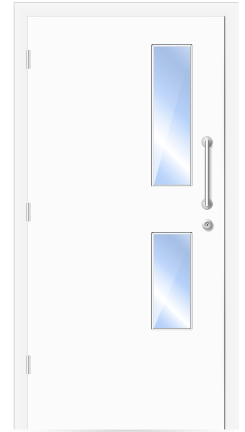
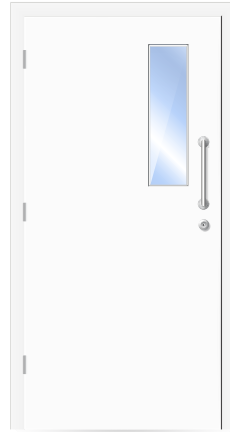
Product Datasheet

SEL-PDS-00031 | Rev.2

| Ironmongery                 | Description   | Part No.  |
|-----------------------------|---|---|
| Hinges                      | 102 × 76mm G13 SSS BB Butt Hinge Rad Corners  | SEL-PRT-01766   |
| Closers                     | Overhead Door Closer EN3<br>Overhead Door Closer EN2-4 BC<br>EN2-4 Scissor Arm Closer +Backcheck Function (Satin Nickel)<br>EN2-4 Scissor Arm Closer +Delayed Action & Backcheck (Silver)<br>EN2-5 Scissor Arm Closer Basic (Satin Nickel)<br>EN2-5 Scissor Arm Closer +Delayed Action & Backcheck (Satin Nickel)<br>Electromag Hold Open Closer Responder24 EN4 (Satin Nickel)<br>EN2-4 Cam Action Slide Arm Closer (Satin Nickel)<br>Pair EN2-4 & EN3 Scissor Arm Closer Basic (Satin Nickel) | SEL-PRT-02574<br>SEL-PRT-02575<br>SEL-PRT-02575<br>TBC<br>SEL-PRT-02577<br>SEL-PRT-02576<br>SEL-PRT-02568<br>SEL-PRT-02647<br>SEL-PRT-02575 & SEL-PRT-02574           |
| Latches/Locks               | DIN Standard Mortice Latch<br>DIN Standard Mortice Sashlock<br>DIN Standard Mortice Deadlock<br>DIN Standard Mortice Bathroom Lock<br>76mm Tubular Latch<br>Mechanical Codelock with lever handle (FD30)<br>FB1/FB2 Mortice Fire Brigade Lock (without Key)<br>FB1/FB2 Key  | SEL-PRT-02244<br>SEL-PRT-02248<br>SEL-PRT-02246<br>SEL-PRT-02245<br>SEL-PRT-02133<br>SEL-PRT-02634<br>SEL-PRT-02255 - SEL-PRT-02257<br>SEL-PRT-02254 - SEL-PRT-02256  |
| Lever handles               | 19mm RTD SSS Levers on Round Rose   | SEL-PRT-02542   |
| Pull handles                | 425 × 19mm SSS B/F 'D' Pull Handle<br>Customers own (subject to approval)   | SEL-PRT-02034<br>N/A  |
| Pushplate                   | 500 × 90mm SSS Finger Plate Sq Corners  | SEL-PRT-02044   |
| Kickplate                   | 200mm high x 1.2mm SSS Kickplate Sq Corners (to suit door width)  | SEL-PRT-02023 - XXXX  |
| Cylinders                   | 70mm SC Euro Double Cylinder KD<br>70mm SC Euro Cylinder & Thumbturn KD   | SEL-PRT-01247<br>SEL-PRT-01409  |
| Escutcheons                 | 52 × 8mm SSS Euro Profile Escutcheon<br>52 × 8mm SSS Blank Escutcheon<br>Euro Cylinder Pull SSS   | SEL-PRT-02048<br>SEL-PRT-02050<br>SEL-PRT-02253   |
| Bathroom indicator          | 52 × 8mm SSS Disabled Turn & Release with Indicator   | SEL-PRT-02051   |
| Flushbolts                  | 200 × 20mm SSS Lever Action Flush Bolt Rad End  | SEL-PRT-01995   |
| Air transfer grills (pairs) | Air Transfer Grill - 300×300mm (NFR)<br>Air Transfer Grill - 350×350mm (NFR)<br>Air Transfer Grill - 400×400mm (NFR)  | SEL-PRT-02515<br>SEL-PRT-02516<br>SEL-PRT-02517   |
| Signage                     | 76mm Dia' Automatic Fire Door Keep Clear (AFDKC)<br>76mm Dia' Fire Door Keep Locked (FDKL)<br>76mm Dia' Fire Door Keep Shut (FDKS)<br>76mm Dia' Disabled Symbol<br>76mm Dia' Female Symbol<br>76mm Dia' Male Symbol<br>76mm Dia' Unisex Symbol<br>76mm Dia' WC Symbol<br>76mm Numeral Self-Adhesive. 0-9 and A, B & C   | SEL-PRT-02565<br>SEL-PRT-02117<br>SEL-PRT-02118<br>SEL-PRT-02566<br>SEL-PRT-02569<br>SEL-PRT-02572<br>SEL-PRT-02579<br>SEL-PRT-02580<br>SEL-PRT-02119 - SEL-PRT-02131 |
| Door stop                   | Pedestal Floor Doorstop   | SEL-PRT-02556   |
| Dropseal                    | Concealed Dropseal (to suit door width)   | SEL-PRT-02497 - SEL-PRT-02507   |

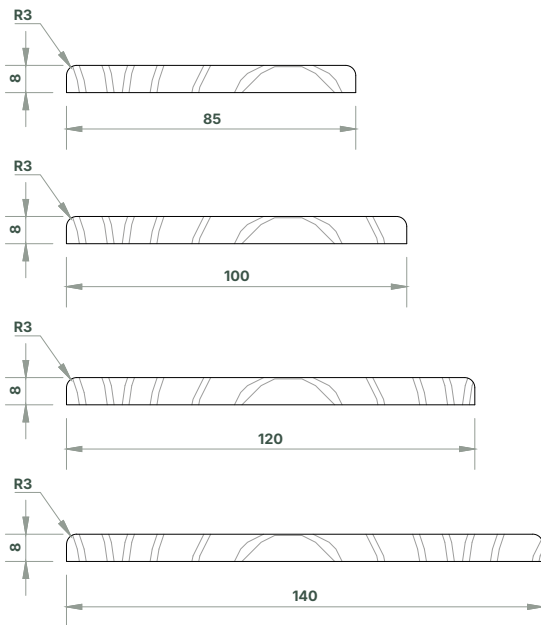
As standard, ironmongery is 'Satin Stainless Steel' style.

**Vision Panels**

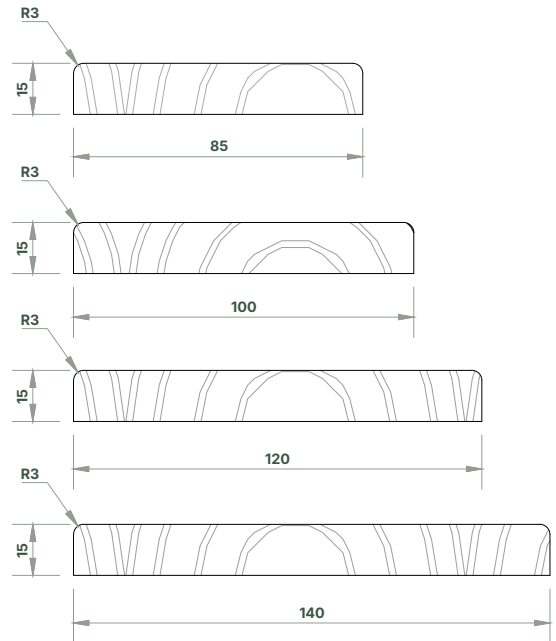


| Reference               | Type A   | Type B    | Type C                |
|-------------------------|--|-----------|-----------------------|
| Clear vision dimensions | 1470×170mm   | 745×170mm | 745×170mm & 495×170mm |
| Glass                   | 7mm clear laminated (fire rated)   |           |                       |
| Margins                 | 150mm of margin to top and leading edge of door leaf   |           |                       |
| Finishes                | <span style="display: inline-block; width: 10px; height: 10px; background-color: #8B4513; border-radius: 50%; margin-right: 5px;"></span> Lacquered Oak - Used in all finished laminate door leaves<br><span style="display: inline-block; width: 10px; height: 10px; background-color: white; border: 1px solid black; border-radius: 50%; margin-right: 5px;"></span> White Primed - Used in RTP door leaves |           |                       |

**Threshold (If required)**



**8mm thick**  
Hardwood, flat strip with width to suit frame

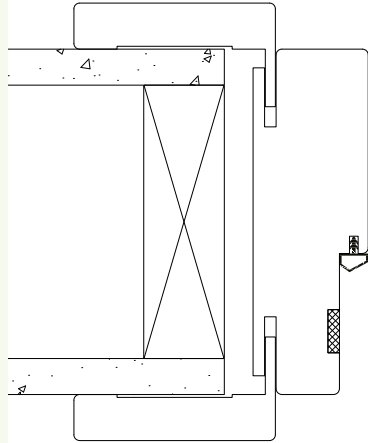


Drawings not to scale

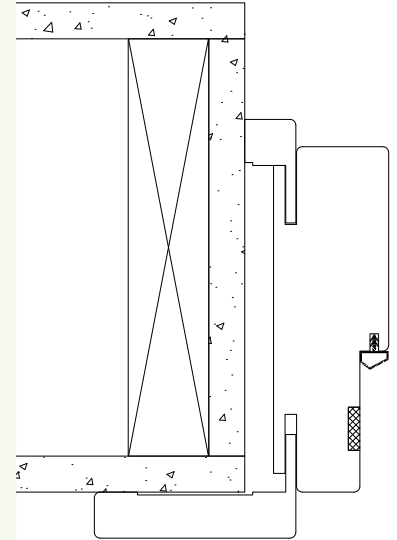
**15mm thick**  
Hardwood, flat strip with width to suit frame

Permitted Frame Installations

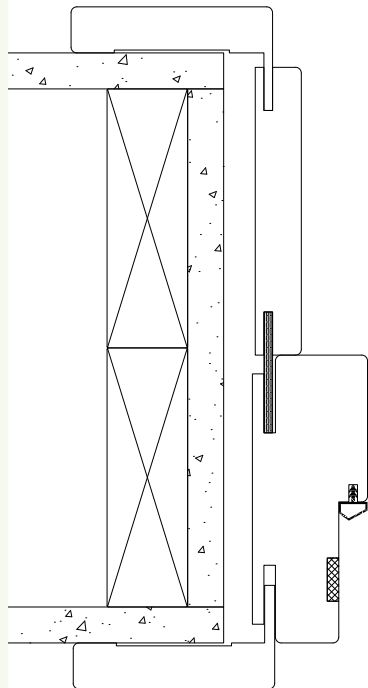
Instances where the door frame and the wall thickness are similar (-12mm to +15mm) such that the architraves are fitted flat to both faces. Note that the minimum door frame section size (width and depth) must be 100mm



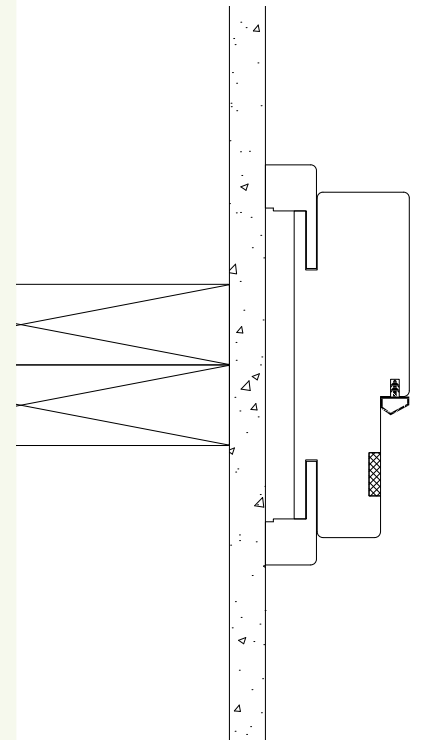
Instances where the wall thickness is greater than the frame and an extension lining is not preferred. The frame is flush to one face of the wall such that the pull side architraves are fitted flat to the wall face and the push side architraves are trimmed to abut the wall reveal face.



Instances where the wall thickness is greater than the frame (between 70mm and 110mm) and an extension lining is used. The frame is flush to one face of the wall such that the architraves are fitted flat to both faces.



Instances where the wall is of greater depth than the frame (typically a corridor) where such that the architraves are trimmed to abut the wall reveal face.



Drawings not to scale

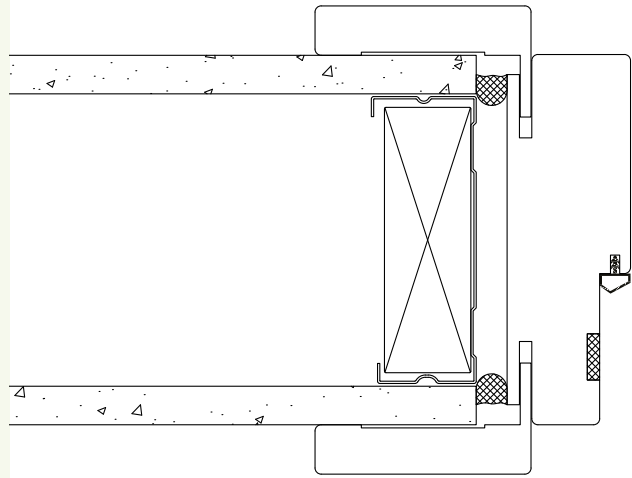
**Note:** Architrave must always be fitted in accordance with the Field of Application. Fire stopping must always be fully covered by the architrave. Quadrant detail is available on request as alternative to trimmed abutted architrave.

**Fire Stopping Gaps**

**1-10mm**

Gap must be sealed on both sides with a 10mm penetration to the full width of the gap with acrylic intumescent sealant, fire tested for this application to BS 476: Part 22:1987 or BS EN 1634-1.

Timber architraves (minimum 10mm thick) must be fitted to both faces, with a minimum 15mm overlap to the surrounding structure.

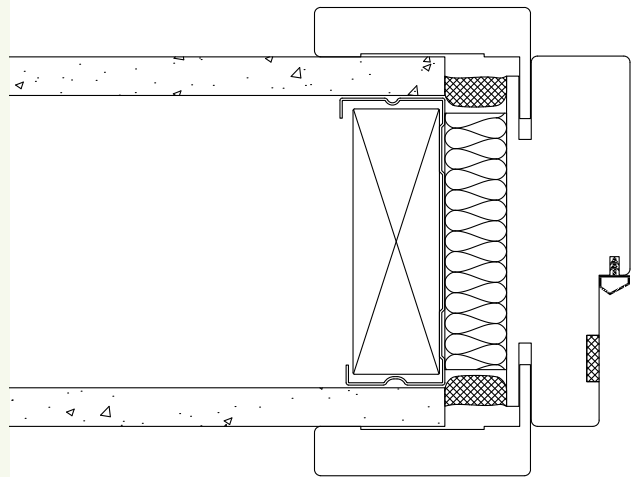


**10-20mm**

Gap must be tightly packed with mineral fibre capped on both sides with a 10mm depth of acrylic intumescent mastic, (Fire tested for this application to BS 476: Part 22: 1987 or BS EN 1634-1).

Alternatively, as tested Nullifire FF197 fire rated PU Foam can be used (Must be full depth of the frame).

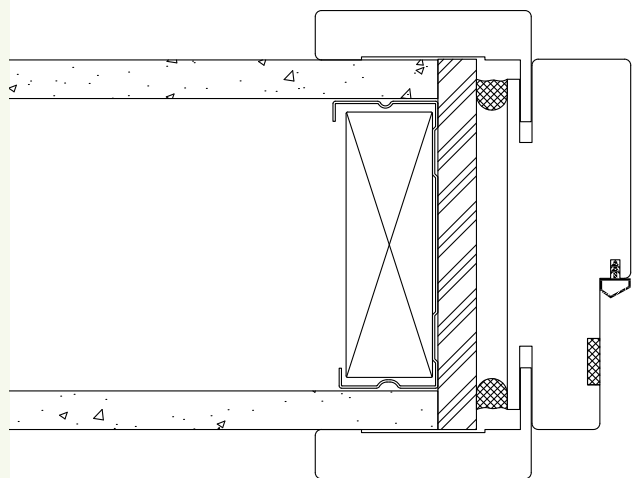
Timber architraves (minimum 10mm thick) must be fitted to both faces, with a minimum 15mm overlap to the surrounding structure.



**20mm+**

A non-combustible subframe/liner (up to 40mm thick) should be fixed to the surrounding structure to reduce the gap to below 10mm and then follow the 1-10mm fire stopping procedure.

Timber architraves (minimum 10mm thick) must be fitted to both faces, with a minimum 15mm overlap to the surrounding structure.



Drawings not to scale

# Modulo FD30 Timber Doorset

Product Datasheet

| Door Leaf Finishes                                  | Moducore BB (Stock)   | Moducore PB (To order)  |
|---|---|---|
| Ready to Paint                                      | <input type="radio"/> Matt Paper                              | <input type="radio"/> Matt Paper  |
| White Laminate<br>Melamine faced MDF                | <input type="radio"/> Chalk White                             | Formica / Egger / Greenlam Laminates<br>(To customer specification)                     |
| Wood Grain<br>Laminate/Veneer<br>Melamine faced MDF | <input type="radio"/> Light Oak <input type="radio"/> Mid Oak | Formica / Egger / Greenlam Laminates / Real-wood Veneers<br>(To customer specification) |
| Solid Colour Laminate<br>Melamine faced MDF         | <input type="radio"/> Slate Grey                              | Formica / Egger / Greenlam Laminates<br>(To customer specification)                     |