

Modulo PAS24 FD30 Timber Doorset

Product Datasheet



PAS24 FD30 Configurations

Single Doorset

Latched, Single Action, Single Doorset (LSASD)

Smoke Rating

3mm Undercut or
Dropdown Seal

BS EN 1634-3:2004

Acoustic Rating

ModuCore BB
with Dropseal fitted

Up to 30dB (Single doorset only)

Door Weights

ModuCore BB (44mm)

24.5 kg/m²

Door Leaves

ModuCore BB (Stock)

Minimum Height

1981mm

Minimum Width

726mm

Maximum Height

2040mm

Maximum Width

926mm

Standard Widths

726, 762, 792, 810, 826, 838, 861, 892, 914, 926mm

Door Core



Construction

Solid timber blockboard core with 4mm MDF facings and ABS Edge-banding

Door Leaf Finishes - Please see end of Datasheet

Frame Options

PAS24 Note:

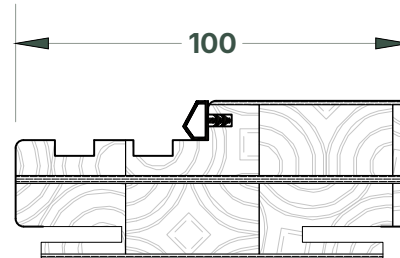
- Minimum frame width is 100mm. Frame material cannot be changed.

100mm wide

To suit wall thickness from 88mm to 115mm
(Frame width can increase)

ModuFrame BB (Hardwood)

Stock

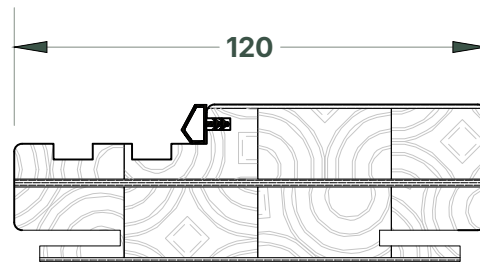


120mm wide

To suit wall thickness from 108mm to 135mm
(Frame width can increase)

ModuFrame BB (Hardwood)

To order

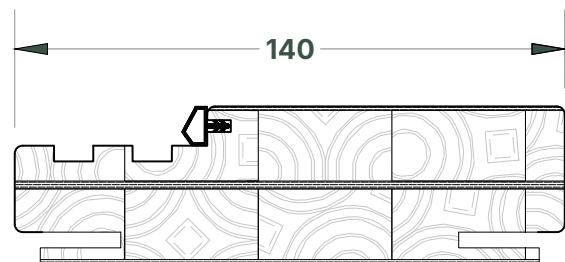


140mm wide

To suit wall thickness from 128mm to 155mm
(Frame width can increase)

ModuFrame BB (Hardwood)

To order



Drawings not to scale

Frame Finishes

Stock

RTP Ready to Paint

Purchase to order

CPL Laminate Light Oak Mid Oak Chalk White Slate Grey

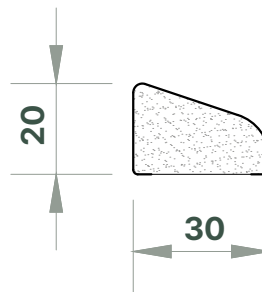
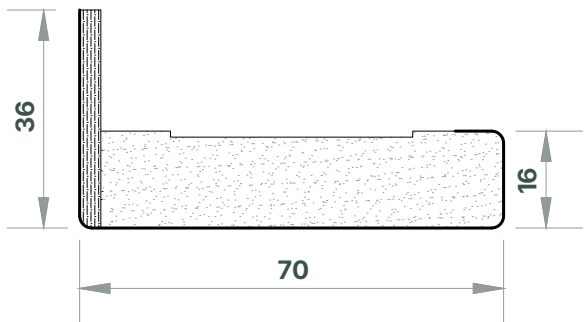
Modulo PAS24 FD30 Timber Doorset

Product Datasheet

Architrave	Quadrant
-------------------	-----------------

PAS24 Note:

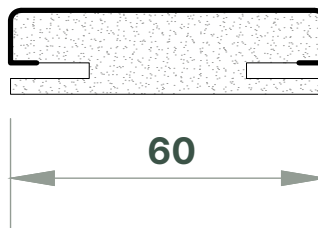
- Architraves are not mandatory.
- Quadrant and extension lining can be used.



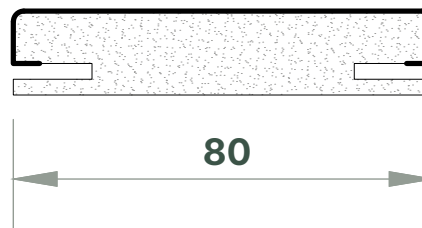
Drawings not to scale

Extension Linings	
--------------------------	--

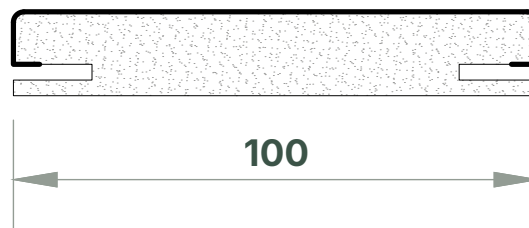
60mm wide
MDF



80mm wide
MDF



100mm wide
MDF



Drawings not to scale

Architrave, Quadrant & Extension Lining Finishes	
---	--

Stock

RTP

Ready to Paint

To order

CPL Laminate

Light Oak

Mid Oak

Chalk White

Slate Grey

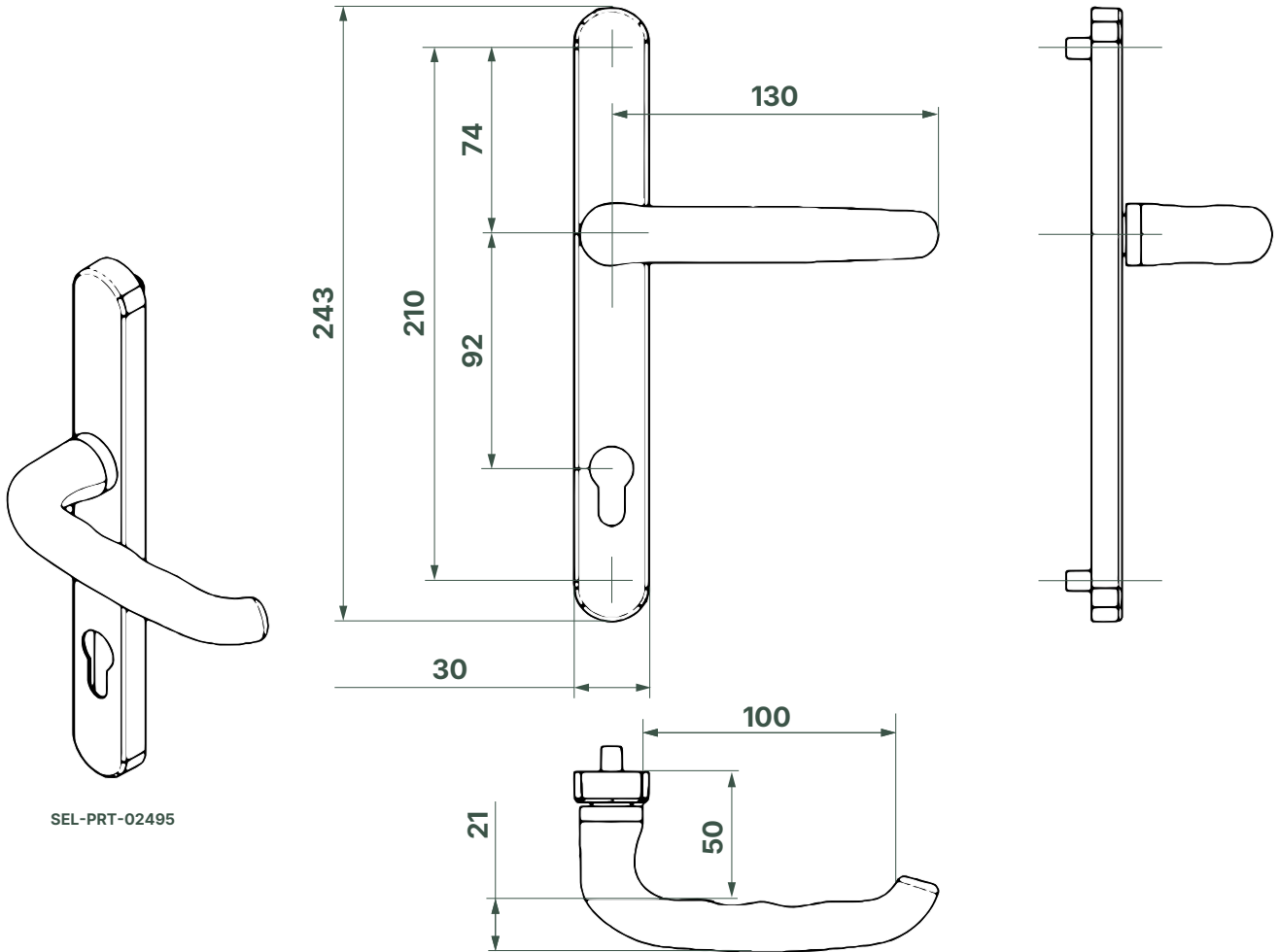
Modulo PAS24 FD30 Timber Doorset

Product Datasheet

SEL-PDS-00034 | Rev:1

Ironmongery	Description	Part No.
Hinges	102 × 76mm G13 SSS BB Butt Hinge Rad Corners	SEL-PRT-02598
Closers	Surface mounted Door Closer EN2-4 BC Surface mounted, Cam Action, Slide Arm Door Closer EN2-4	SEL-PRT-02575 SEL-PRT-02647
Lock	Crimebeater Autolocking Multipoint Lock Right Hand Crimebeater Centre Bolt (Adjustable) Keep Left Hand Crimebeater Centre Bolt (Adjustable) Keep XL Crimebeater Top and Bottom Bolt Keep - Radius End	SEL-PRT-02238 SEL-PRT-02532 SEL-PRT-02635 SEL-PRT-02589
Lever Handle	DH243-DUO Handle PR 243mm Backplate, 92mm Centres	SEL-PRT-02495
Kickplates	150mm high x 1.2mm SSS Kickplate Sq Corners (To suit Door width) 200mm high x 1.2mm SSS Kickplate Sq Corners (To suit Door width)	SEL-PRT-02022 - XXXX SEL-PRT-02023 - XXXX
Cylinder	70mm Thumbturn Euro Cylinder 3* Kitemarked SCP	SEL-PRT-02106
Security Chain	TS003 Security Chain SCP	SEL-PRT-02496
Door Knocker	Door Knocker on Backplate SCP	SEL-PRT-02586
Door Viewer	19mm ø SSS 180° Door Viewer	SEL-PRT-01994
Letterplate	TS008 Slim, Security Letterplate SCP	SEL-PRT-02583
Signage	76mm ø SSS Fire Door Keep Shut FDKS Sign 76mm Numeral SSS Self-Adhesive (0-9 - ABC)	SEL-PRT-02118 SEL-PRT-02119 - SEL-PRT-02131
Door Stop	Pedestal Floor Doorstop SSS	SEL-PRT-02556

Door Handle



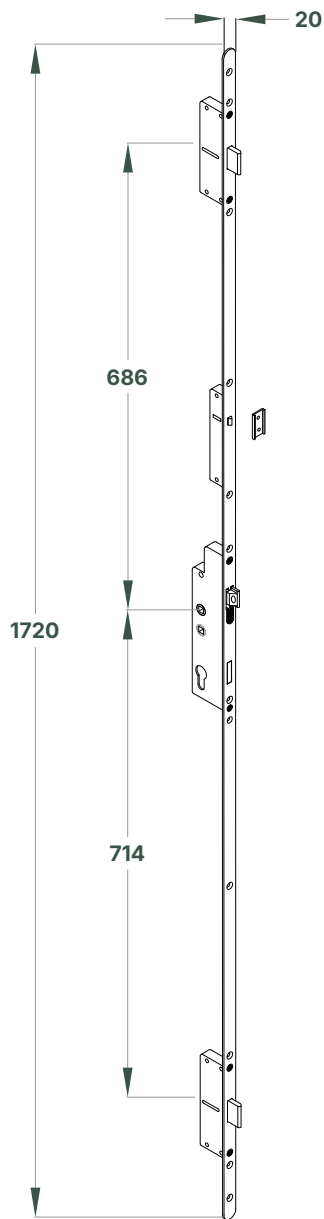
SEL-PRT-02495

Drawings not to scale

Door Handle Technical Details

Material Construction	High-grade Stainless Steel
Dimensions	243mm x 30mm (Backplate)
Finishes	Plated Coating <input type="radio"/> Satin Stainless Steel (Stock) <input type="radio"/> Mirror Polished (To order) <input type="radio"/> PVD Gold (To order)
Certification	DDA Compliant

3-point Lock



Drawings not to scale

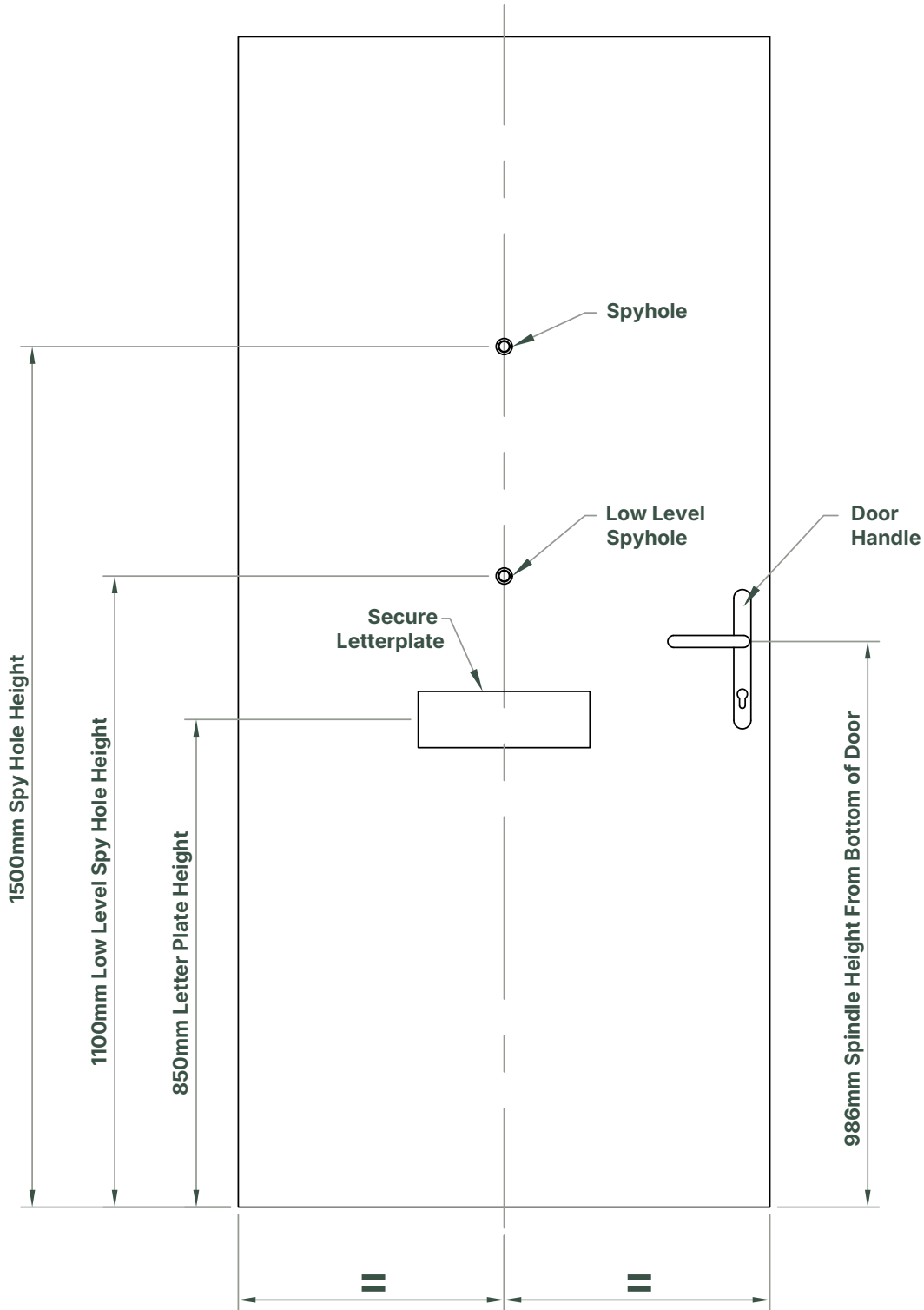
3-point Lock Technical Details

Material Construction	<p>Chrome plated A3 hardened Steel (Top/Bottom Hook)</p> <p>CZ122 Brass Stamping (Deadbolt)</p> <p>Zinc & Mild Steel (Faceplate & Gearbox)</p>
Dimensions	<p>45mm (Backset) 243mm (Handle Backplate) 92mm/62mm (Handle Centres)</p>
Specification	<p>Dual Spindle, x3 Deadbolts</p>
Finishes	<p>● Satin Stainless Steel</p>

PAS24 Door Dimensions

PAS24 Note:

- Spyholes can be omitted or just one used.
- Letterplate can be removed.
- Height of Handle, Lock, Spyholes and Letterplate are fixed.
- Lock, Handle, Spyholes and Letterplate specification of product cannot be changed.

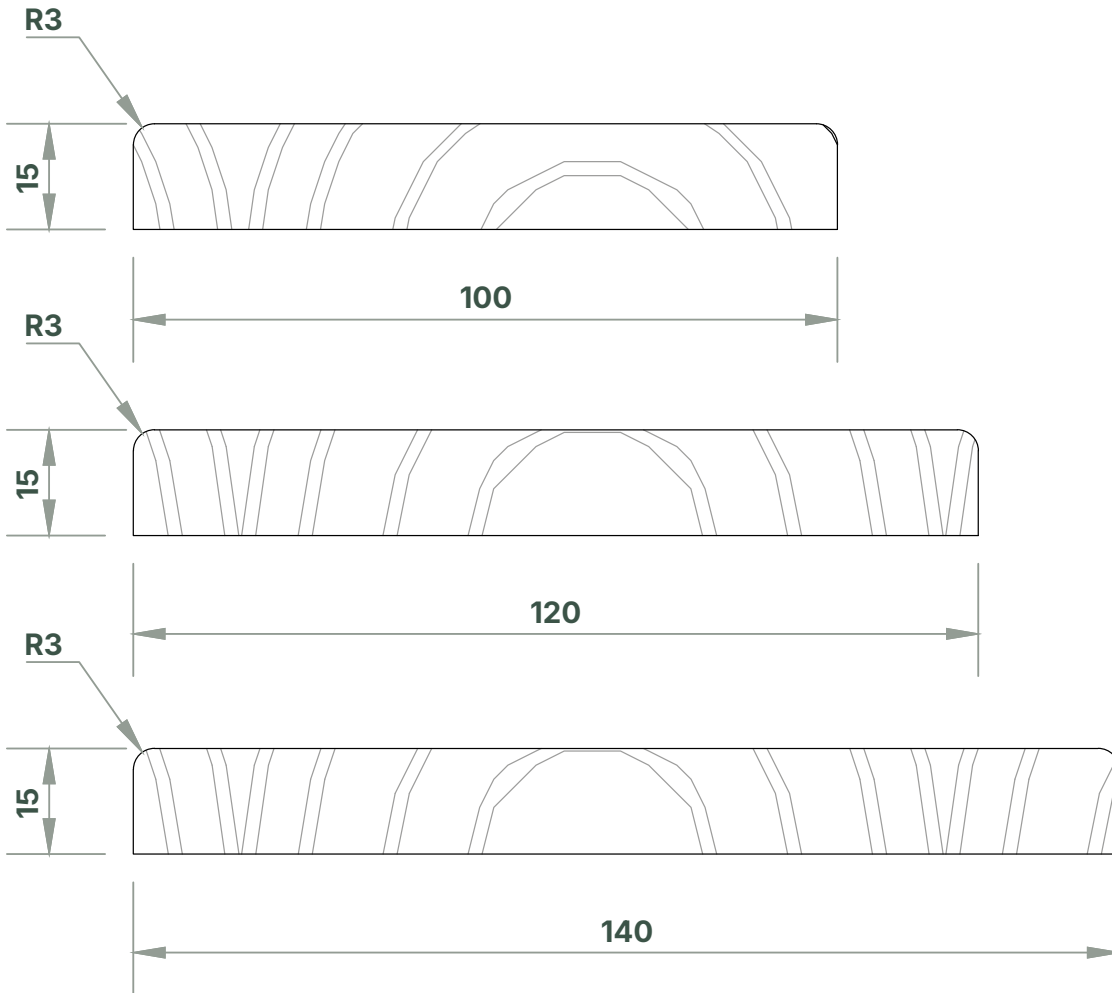


Drawings not to scale

Threshold

PAS24 Note:

- Minimum Threshold thickness is 10mm



Drawings not to scale

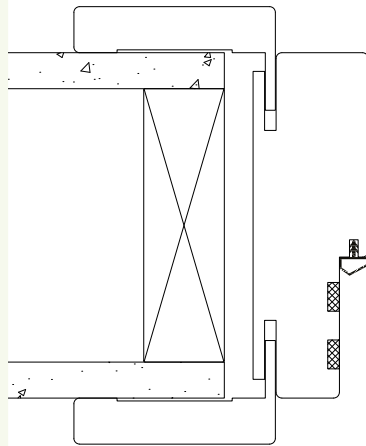
15mm thick
Hardwood, flat strip with width to suit frame

Permitted Frame Installations

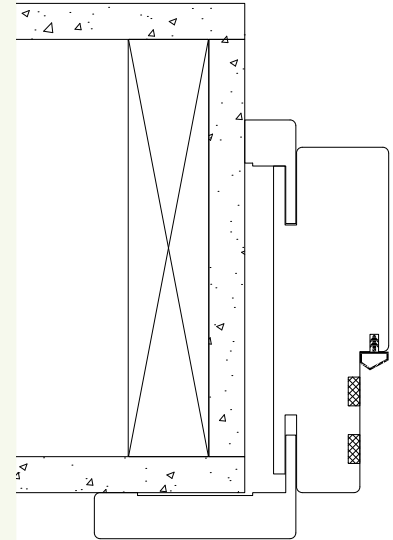
PAS24 Note:

- Architrave must always be fitted in accordance with the Field of Application.
- Fire stopping must always be fully covered by the architrave. Quadrant detail is available on request as alternative to abutted architrave.

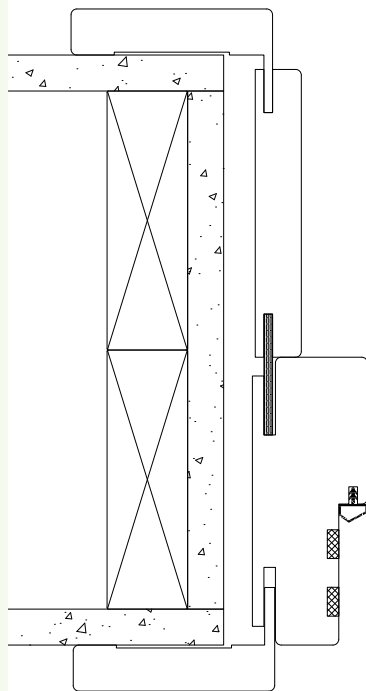
Instances where the door frame and the wall thickness are similar such that the architraves are fitted flat to both faces. Note that the minimum door frame section size (width and depth) must be 100mm



Instances where the wall thickness is greater than the frame and an extension lining is not preferred. The frame is flush to one face of the wall such that the pull side architraves are fitted flat to the wall face and the push side architraves are trimmed to abut the wall reveal face.



Instances where the wall thickness is greater than the frame (between 70mm and 110mm) and an extension lining is used. The frame is flush to one face of the wall such that the architraves are fitted flat to both faces.



Drawings not to scale.
For illustration purposes only, see installation guides for fitting instructions.

Modulo PAS24 FD30 Timber Doorset

Product Datasheet

Door Leaf Finishes	Moducore BB (Stock)	Moducore BB (To order)
Ready to Paint	<input type="radio"/> Matt Paper	<input type="radio"/> Matt Paper
White Laminate Melamine faced MDF	<input type="radio"/> Chalk White	Formica / Egger / Greenlam Laminates (To customer specification)
Wood Grain Laminate/Veneer Melamine faced MDF	<input type="radio"/> Light Oak <input type="radio"/> Mid Oak	Formica / Egger / Greenlam Laminates / Real-wood Veneers (To customer specification)
Solid Colour Laminate Melamine faced MDF	<input type="radio"/> Slate Grey	Formica / Egger / Greenlam Laminates (To customer specification)