

# Modulo FD30 Timber Doorset

## Product Datasheet



### FD30 Configurations

#### Single Doorset

Latched, Single Action, Single Doorset (LSASD)  
 Unlatched, Single Action, Single Doorset (ULSASD)

#### Double Doorset

Latched, Single Action, Double Doorset (LSADD)  
 Unlatched, Single Action, Double Doorset (ULSADD)

### Fire Rating

Certifire **BS EN 1634-1:20**

### Smoke Rating

Included as standard **BS EN 1634-3:2004**



### Acoustic Rating - ISO 10140-2:2010

ModuCore BB with Dropseal fitted **Up to 30dB (Single doorset only)**

### Door Weights

ModuCore BB (44mm) **24.5 kg/m<sup>2</sup>**

ModuCore PB (44mm) **27.3 kg/m<sup>2</sup>**

Door Leaves	ModuCore BB (Stock)	ModuCore PB (To order)
Minimum Height	1939mm (Smaller heights available - Contact Selo)	1939mm (Smaller heights available - Contact Selo)
Maximum Height	2040mm	2040mm
Standard Widths	326, 426, 457, 492, 526, 533, 560, 592, 610, 626, 660, 692, 711, 726, 762, 792, 810, 826, 838, 861, 892, 914, 926mm	326, 426, 457, 492, 526, 533, 560, 592, 610, 626, 660, 692, 711, 726, 762, 792, 810, 826, 838, 861, 892, 914, 926mm
Door Core		
Construction	Solid timber blockboard core with 4mm MDF facings and ABS edging	Particle board core with HPL facings, hardwood lippings

Door Leaf Finishes - Please see end of Datasheet

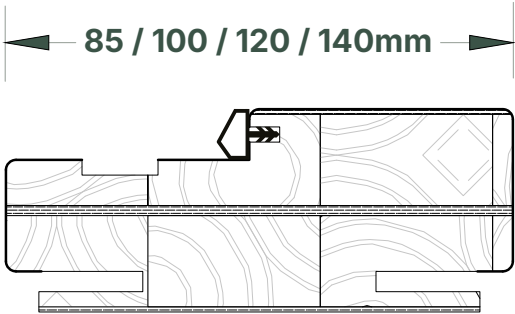
**Modulo FD30 Timber Doorset**

Product Datasheet

**Frame Options**

**ModuFrame BB**

	Frame Width	Wall Width
Blockboard FD30	85mm	73mm - 100mm
	100mm	88mm - 115mm
	120mm	108mm - 135mm
	140mm	128mm - 155mm



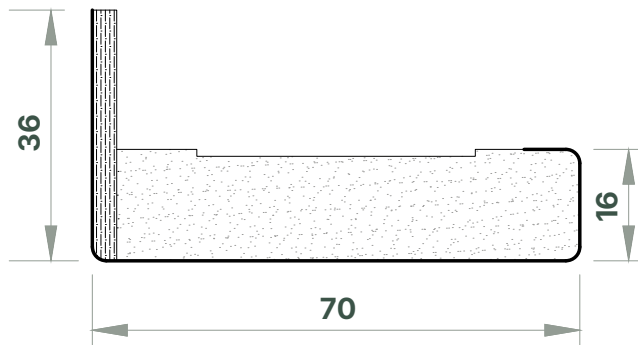
Drawings not to scale

**Frame Finishes**

Stock	RTP <input type="radio"/> Ready to Paint
To order	CPL Laminate <input type="radio"/> Light Oak <input type="radio"/> Mid Oak <input type="radio"/> Chalk White <input type="radio"/> Slate Grey <input type="radio"/> Bespoke finishes available (Min. order qty applies)

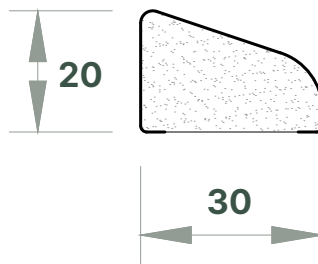
**Architrave**

Medium-density Fibreboard



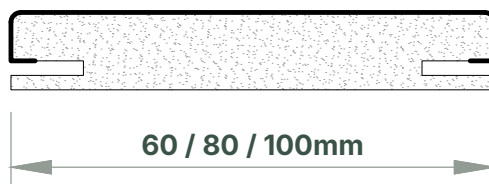
**Quadrant**

Medium-density Fibreboard



**Extension Linings**

Medium-density Fibreboard



Drawings not to scale

**Architrave, Quadrant & Extension Lining Finishes**

Stock

RTP

Ready to Paint

To order

CPL Laminate

Light Oak

Mid Oak

Chalk White

Slate Grey

Bespoke finishes available (Min. order qty applies)

## Modulo FD30 Timber Doorset

Product Datasheet

SEL-PDS-00031 | Rev.10

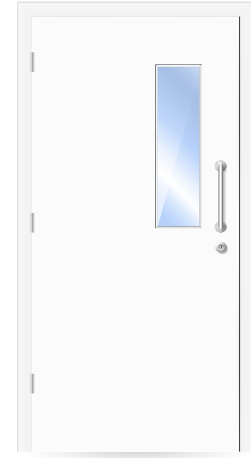
Ironmongery	Description	Part No.
Hinges	102 × 76mm G13 SSS BB Butt Hinge Rad Corners	SEL-PRT-01766
Closers	Overhead Door Closer EN3 Overhead Door Closer EN2-4 BC EN2-4 Scissor Arm Closer +Backcheck Function (Satin Nickel) EN2-4 Scissor Arm Closer +Delayed Action & Backcheck (Silver) EN2-5 Scissor Arm Closer Basic (Satin Nickel) EN2-5 Scissor Arm Closer +Delayed Action & Backcheck (Satin Nickel) Electromag Hold Open Closer Responder24 EN4 (Satin Nickel) EN2-4 Cam Action Slide Arm Closer (Satin Nickel) Pair EN2-4 & EN3 Scissor Arm Closer Basic (Satin Nickel)	SEL-PRT-02574 SEL-PRT-02575 SEL-PRT-02575 TBC SEL-PRT-02577 SEL-PRT-02576 SEL-PRT-02568 SEL-PRT-02647 SEL-PRT-02575 & SEL-PRT-02574
Latches/Locks	DIN Standard Mortice Latch DIN Standard Mortice Sashlock DIN Standard Mortice Deadlock DIN Standard Mortice Bathroom Lock 76mm Tubular Latch Mechanical Codelock with lever handle (FD30) FB1/FB2 Mortice Fire Brigade Lock (without Key) FB1/FB2 Key	SEL-PRT-02244 SEL-PRT-02248 SEL-PRT-02246 SEL-PRT-02245 SEL-PRT-02133 SEL-PRT-02634 SEL-PRT-02255 - SEL-PRT-02257 SEL-PRT-02254 - SEL-PRT-02256
Lever handles	19mm RTD SSS Levers on Round Rose	SEL-PRT-02542
Pull handles	425 × 19mm SSS B/F 'D' Pull Handle Customers own (subject to approval)	SEL-PRT-02034 N/A
Pushplate	500 × 90mm SSS Finger Plate Sq Corners	SEL-PRT-02044
Kickplate	200mm high x 1.2mm SSS Kickplate Sq Corners (to suit door width)	SEL-PRT-02023 - XXXX
Cylinders	70mm SC Euro Double Cylinder KD 70mm SC Euro Cylinder & Thumbturn KD	SEL-PRT-01247 SEL-PRT-01409
Escutcheons	52 × 8mm SSS Euro Profile Escutcheon 52 × 8mm SSS Blank Escutcheon Euro Cylinder Pull SSS	SEL-PRT-02048 SEL-PRT-02050 SEL-PRT-02253
Bathroom indicator	52 × 8mm SSS Disabled Turn & Release with Indicator	SEL-PRT-02051
Flushbolts	200 × 20mm SSS Lever Action Flush Bolt Rad End	SEL-PRT-01995
Air transfer grills (pairs)	Air Transfer Grill - 250×250mm Air Transfer Grill - 300×300mm (NFR) Air Transfer Grill - 350×350mm (NFR) Air Transfer Grill - 400×400mm (NFR)	SEL-PRT-04847 & SEL-PRT-04848 SEL-PRT-02515 SEL-PRT-02516 SEL-PRT-02517
Signage	76mm Dia' Automatic Fire Door Keep Clear (AFDKC) 76mm Dia' Fire Door Keep Locked (FDKL) 76mm Dia' Fire Door Keep Shut (FDKS) 76mm Dia' Disabled Symbol 76mm Dia' Female Symbol 76mm Dia' Male Symbol 76mm Dia' Unisex Symbol 76mm Dia' WC Symbol 76mm Numeral Self-Adhesive. 0-9 and A, B & C	SEL-PRT-02565 SEL-PRT-02117 SEL-PRT-02118 SEL-PRT-02566 SEL-PRT-02569 SEL-PRT-02572 SEL-PRT-02579 SEL-PRT-02580 SEL-PRT-02119 - SEL-PRT-02131
Dropseal	Concealed Dropseal (to suit door width)	SEL-PRT-02497 - SEL-PRT-02507

As standard, ironmongery is 'Satin Stainless Steel' style.

**Modulo FD30 Timber Doorset**

Product Datasheet

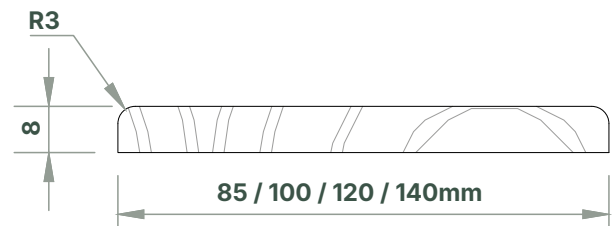
**Vision Panels**



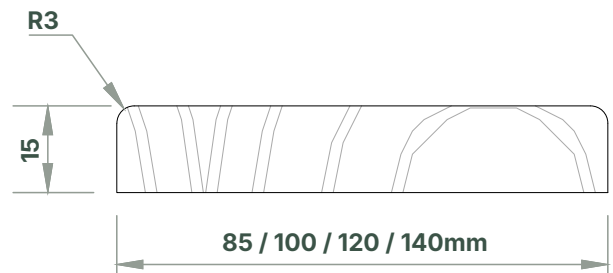
Reference	<b>Type A</b>	<b>Type B</b>
Clear vision dimensions	<b>1470×170mm</b>	<b>745×170mm</b>
Glass	<b>7mm clear laminated (fire rated)</b>	
Margins	<b>150mm of margin to top and leading edge of door leaf</b>	
Minimum door width	<b>526mm - Contact Selo if a smaller width door is required</b>	
Finishes	<ul style="list-style-type: none"> <li><span style="display: inline-block; width: 10px; height: 10px; background-color: #8B4513; border-radius: 50%; margin-right: 5px;"></span> <b>Lacquered Oak</b> - Used in all finished laminate door leaves</li> <li><span style="display: inline-block; width: 10px; height: 10px; background-color: white; border: 1px solid black; border-radius: 50%; margin-right: 5px;"></span> <b>White Primed</b> - Used in RTP door leaves</li> </ul>	

**Threshold (If required)**

**8mm thick**  
Hardwood, flat strip with width to suit frame



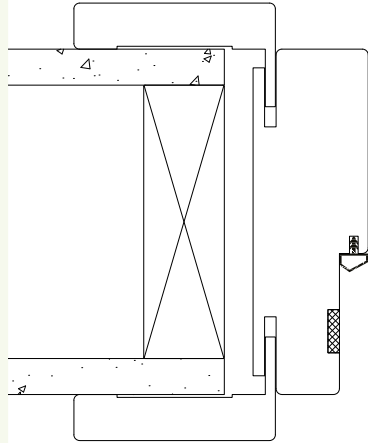
**15mm thick**  
Hardwood, flat strip with width to suit frame



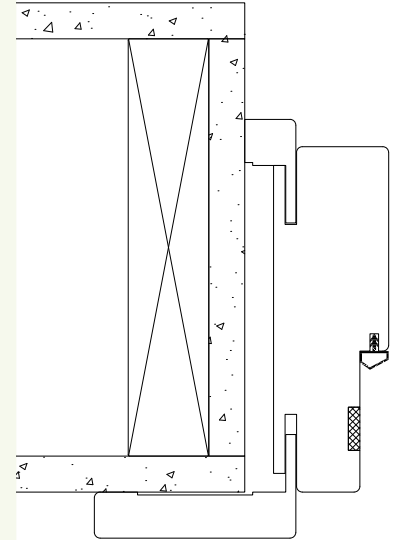
Drawings not to scale

**Permitted Frame Installations**

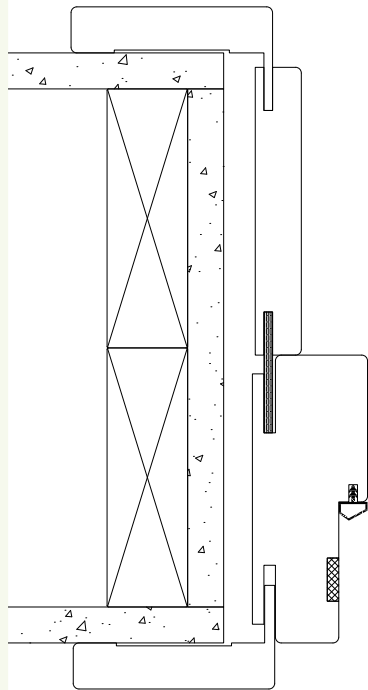
Instances where the door frame and the wall thickness are similar (-12mm to +15mm) such that the architraves are fitted flat to both faces. Note that the minimum door frame section size (width and depth) must be 100mm



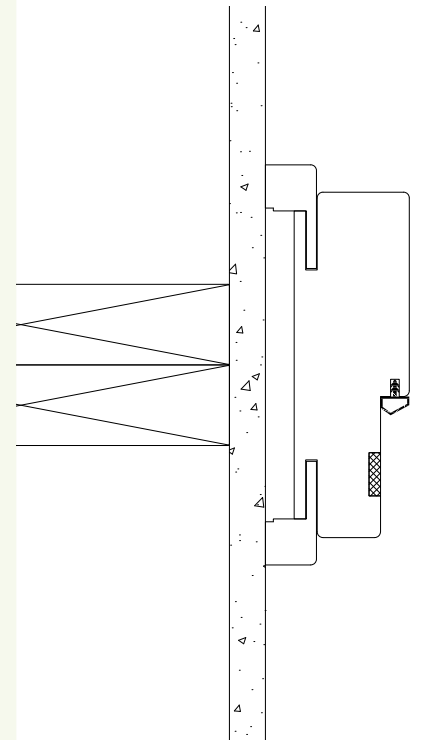
Instances where the wall thickness is greater than the frame and an extension lining is not preferred. The frame is flush to one face of the wall such that the pull side architraves are fitted flat to the wall face and the push side architraves are trimmed to abut the wall reveal face.



Instances where the wall thickness is greater than the frame (between 70mm and 110mm) and an extension lining is used. The frame is flush to one face of the wall such that the architraves are fitted flat to both faces.



Instances where the wall is of greater depth than the frame (typically a corridor) where such that the architraves are trimmed to abut the wall reveal face.



Drawings not to scale

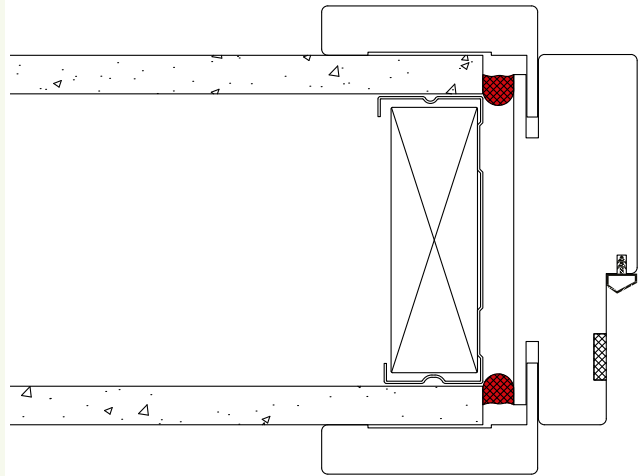
**Note:** Architrave must always be fitted in accordance with the Field of Application. Fire stopping must always be fully covered by the architrave. Quadrant detail is available on request as alternative to trimmed abutted architrave.

**Fire Stopping**

**1-10mm gaps**

Gap must be sealed on both sides with a 10mm penetration to the full width of the gap with acrylic intumescent sealant, fire tested for this application to BS 476: Part 22:1987 or BS EN 1634-1.

Timber architraves (minimum 10mm thick) must be fitted to both faces, with a minimum 15mm overlap to the surrounding structure.

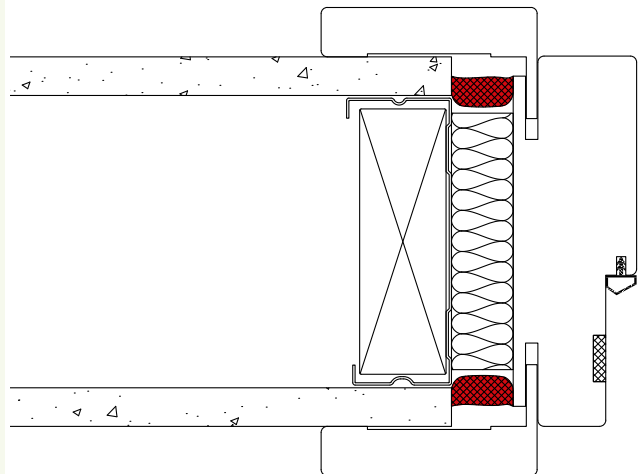


**10-20mm gaps**

Gap must be tightly packed with mineral fibre capped on both sides with a 10mm depth of acrylic intumescent mastic, (Fire tested for this application to BS 476: Part 22: 1987 or BS EN 1634-1).

Alternatively, as tested Nullifire FF197 fire rated PU Foam can be used (Must be full depth of the frame).

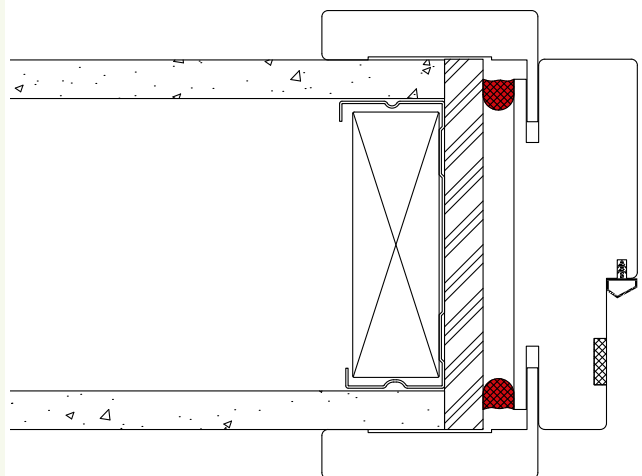
Timber architraves (minimum 10mm thick) must be fitted to both faces, with a minimum 15mm overlap to the surrounding structure.



**Maximum 25mm gaps**

A non-combustible subframe/liner (up to 40mm thick) should be fixed to the surrounding structure to reduce the gap to below 10mm and then follow the 1-10mm fire stopping procedure.



Timber architraves (minimum 10mm thick) must be fitted to both faces, with a minimum 15mm overlap to the surrounding structure.



Drawings not to scale

# Modulo FD30 Timber Doorset

Product Datasheet

Door Leaf Finishes	Moducore BB (Stock)	Moducore PB (To order)
Ready to Paint	<input type="radio"/> Matt Paper	<input type="radio"/> Ready to Paint
Laminate Melamine faced MDF	<input type="radio"/> Chalk White	 Bespoke finishes available (Min. order qty applies)
Wood Grain Laminate or Melamine faced MDF	<input type="radio"/> Light Oak <input type="radio"/> Mid Oak	 Bespoke finishes available (Min. order qty applies)