

# Modulo PAS24 FD30 Timber Doorset

## Product Datasheet



### PAS24 FD30 Configurations

#### Single Doorset

Latched, Single Action, Single Doorset (LSASD)

#### Smoke Rating

3mm Undercut or Dropdown Seal      **BS EN 1634-3:2004**

#### Acoustic Rating - ISO 10140-2:2010

ModuCore BB with Dropseal fitted      **Up to 30dB (Single doorset only)**

#### Door Weights

ModuCore BB (44mm)      **24.5 kg/m<sup>2</sup>**

#### U-Value - BS EN ISO 10077-1:2017

ModuCore BB (44mm)      **2.0 W/m<sup>2</sup>K**

#### Door Leaves      **ModuCore BB (Stock)**

Minimum Height      **1981mm**      Minimum Width      **726mm**

Maximum Height      **2040mm**      Maximum Width      **926mm**

Standard Widths      **726, 762, 792, 810, 826, 838, 861, 892, 914, 926mm**

#### Door Core



Construction      **Solid timber blockboard core with 4mm MDF facings and ABS edging**

**Door Leaf Finishes** - Please see end of Datasheet

# Modulo PAS24 FD30 Timber Doorset

Product Datasheet

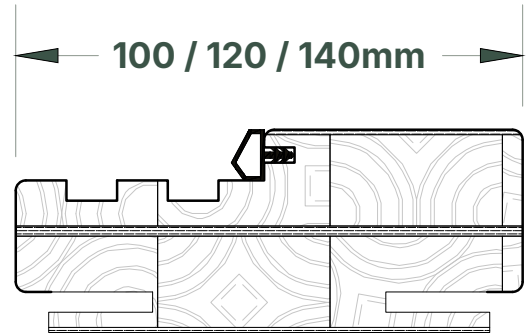
## Frame Options

### PAS24 Note:

- Minimum frame width is 100mm. Frame material cannot be changed.

## ModuFrame BB

	Frame Width	Wall Width
Oak Blockboard Stock	100mm	88mm - 115mm
	120mm	108mm - 135mm
	140mm	128mm - 155mm



Drawings not to scale

## Frame Finishes

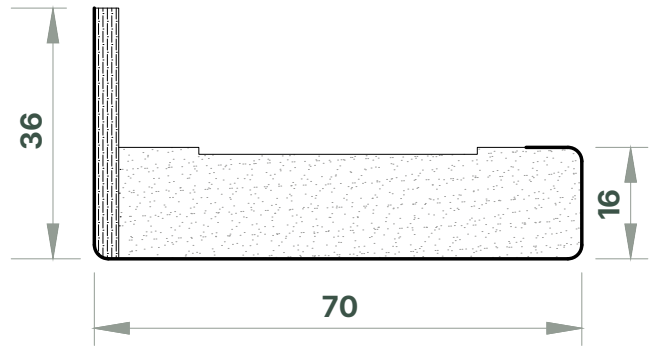
Stock	RTP <input type="radio"/> Ready to Paint
To order	Laminate <input type="radio"/> Light Oak <input type="radio"/> Mid Oak <input type="radio"/> Chalk White <input type="radio"/> Slate Grey
	<input type="radio"/> Bespoke finishes available (Min. order qty applies)

**Architrave**

Medium-density Fibreboard

**PAS24 Note:**

- Architraves are not mandatory

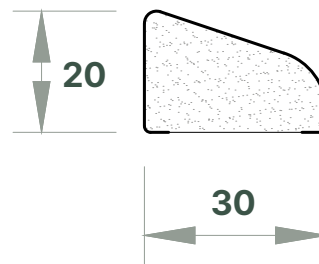


**Quadrant**

Medium-density Fibreboard

**PAS24 Note:**

- Quadrant can be used, other options available upon request.

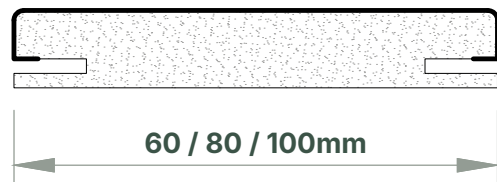


**Extension Linings**

Medium-density Fibreboard

**PAS24 Note:**

- Extension linings can be used, other options available upon request.



Drawings not to scale

**Architrave, Quadrant & Extension Lining Finishes**

Stock

RTP

Ready to Paint

To order

Laminate

Light Oak

Mid Oak

Chalk White

Slate Grey

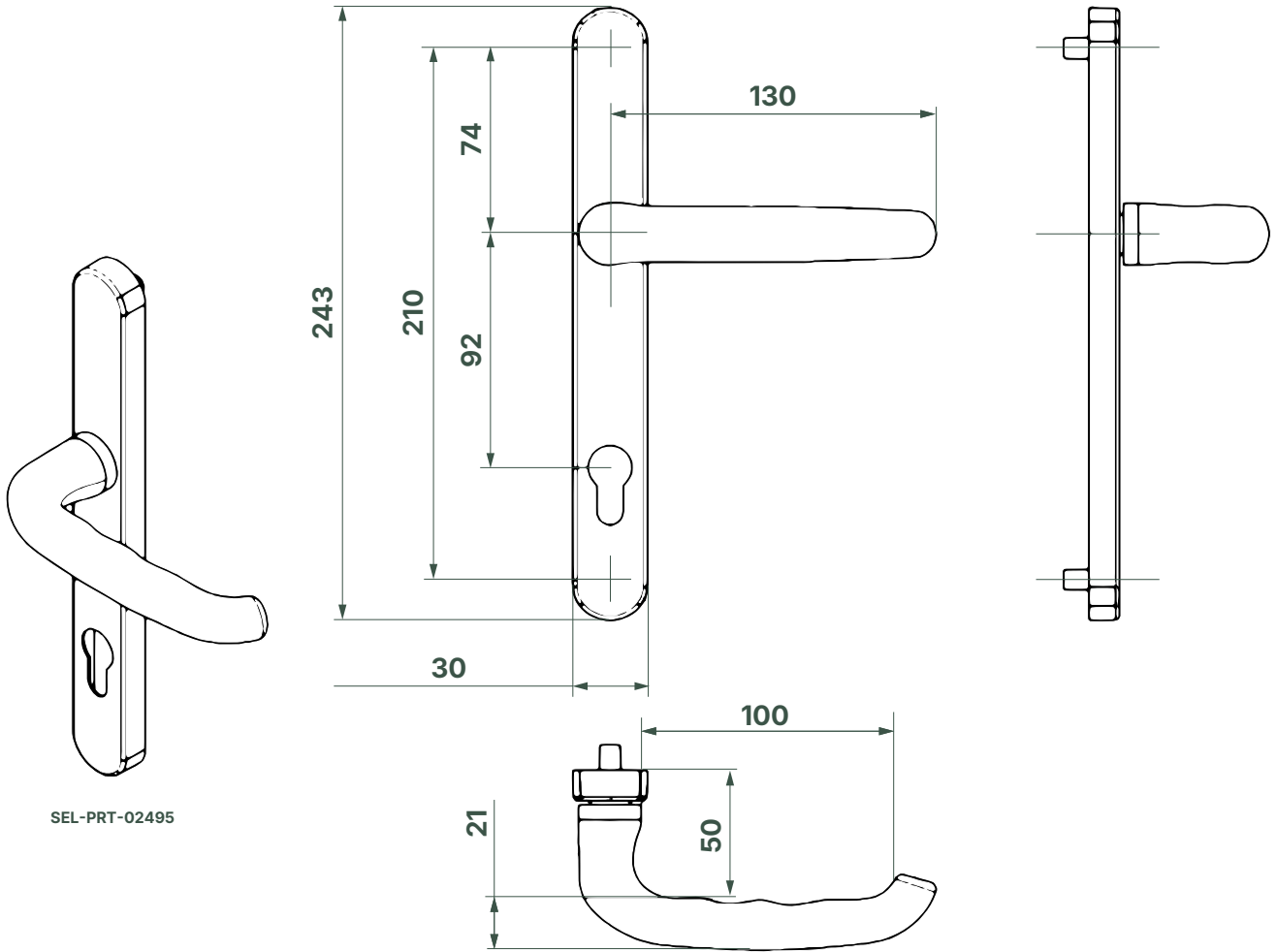
Bespoke finishes available (Min. order qty applies)

## Modulo PAS24 FD30 Timber Doorset

Product Datasheet

Ironmongery	Description	Part No.
Hinges	102 × 76mm G13 SSS BB Butt Hinge Rad Corners	SEL-PRT-01766
Closers	Overhead Slide Arm Door Closer EN2-5 DA SNP 12045 EN2-4 Scissor Arm Closer with Delayed Action & Backcheck Functions	SEL-PRT-02578 SEL-PRT-03357
Lock	Crimebeater Autolocking Multipoint Lock Right Hand Crimebeater Centre Bolt (Adjustable) Keep Left Hand Crimebeater Centre Bolt (Adjustable) Keep XL Crimebeater Top and Bottom Bolt Keep - Radius End	SEL-PRT-02238 SEL-PRT-02532 SEL-PRT-02635 SEL-PRT-02589
Lever Handle	DH243-DUO Handle PR 243mm Backplate, 92mm Centres	SEL-PRT-02495
Kickplates	150mm high x 1.2mm SSS Kickplate Sq Corners (To suit Door width) 200mm high x 1.2mm SSS Kickplate Sq Corners (To suit Door width)	SEL-PRT-02022 - XXXX SEL-PRT-02023 - XXXX
Cylinder	70mm Thumbturn Euro Cylinder 3* Kitemarked SCP	SEL-PRT-02106
Security Chain	TS003 Security Chain SCP	SEL-PRT-02496
Door Knocker	Door Knocker on Backplate SCP	SEL-PRT-02586
Door Viewer	19mm ø SSS 180° Door Viewer	SEL-PRT-01994
Letterplate	TS008 Slim, Security Letterplate SCP	SEL-PRT-02583
Signage	76mm ø SSS Fire Door Keep Shut FDKS Sign 76mm Numeral SSS Self-Adhesive (0-9 - ABC)	SEL-PRT-02118 SEL-PRT-02119 - SEL-PRT-02131

Door Handle

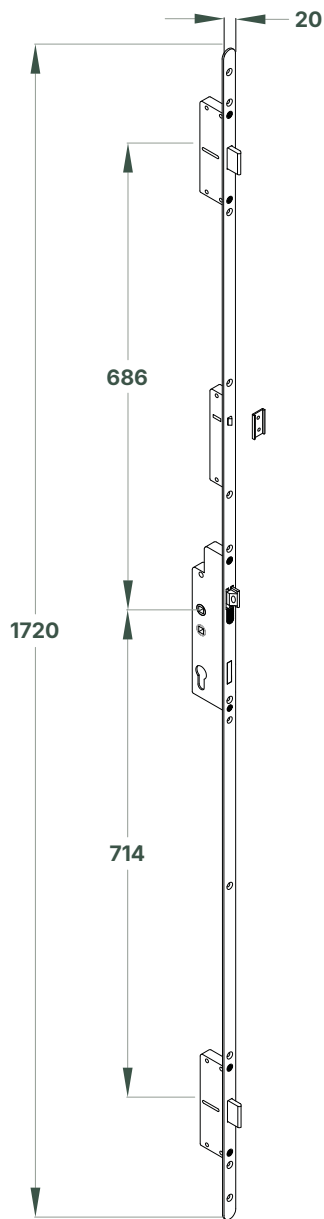


Drawings not to scale

Door Handle Technical Details

Material Construction	High-grade Stainless Steel
Dimensions	243mm x 30mm (Backplate)
Finishes	Plated Coating <input type="radio"/> Satin Stainless Steel (Stock) <input type="radio"/> Mirror Polished (To order) <input type="radio"/> PVD Gold (To order)
Certification	DDA Compliant

3-point Lock



Drawings not to scale

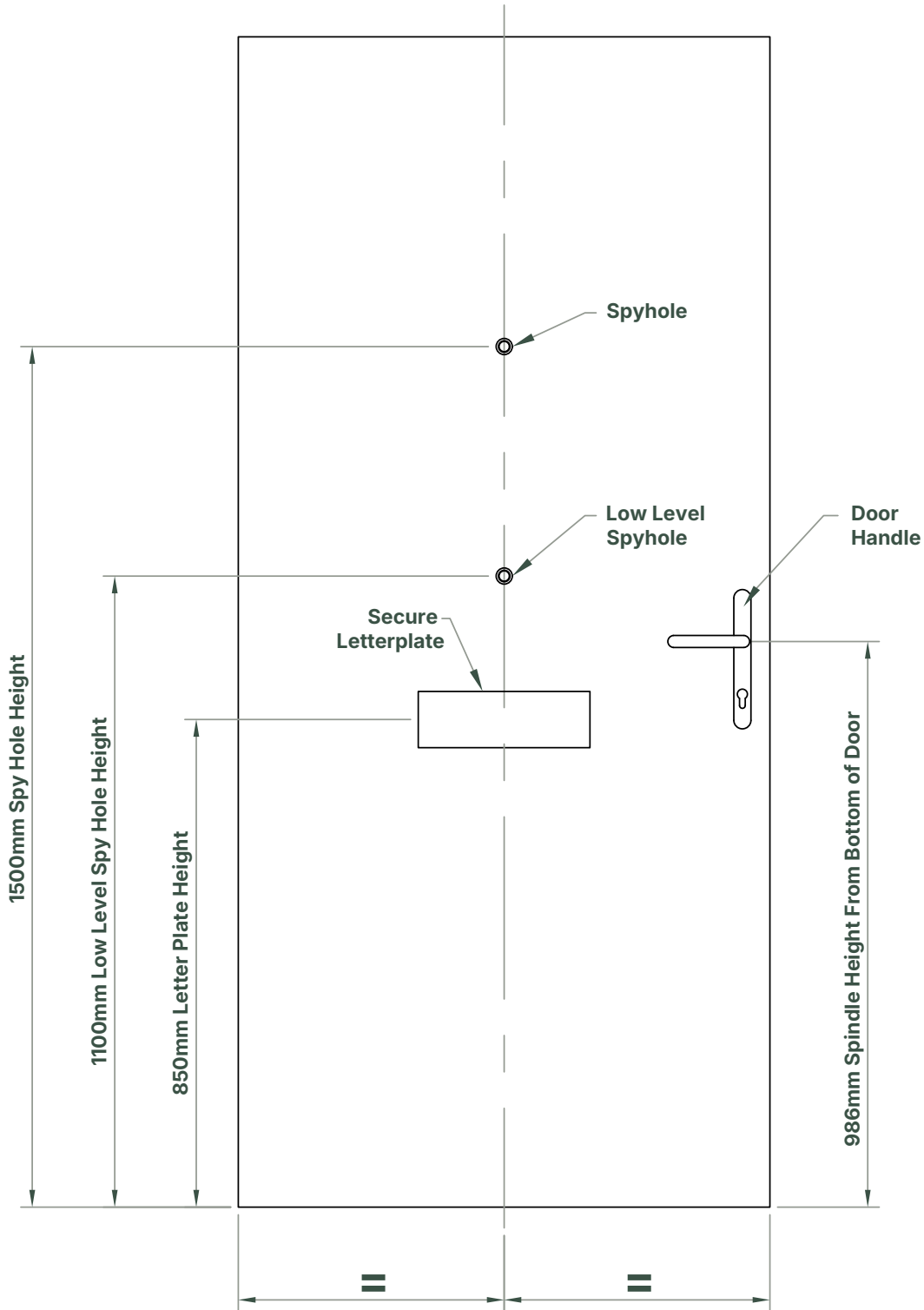
3-point Lock Technical Details

Material Construction	<p>Chrome plated A3 hardened Steel (Top/Bottom Hook)</p> <p>CZ122 Brass Stamping (Deadbolt)</p> <p>Zinc &amp; Mild Steel (Faceplate &amp; Gearbox)</p>
Dimensions	<p>45mm (Backset) 243mm (Handle Backplate) 92mm/62mm (Handle Centres)</p>
Specification	<p>Dual Spindle, x3 Deadbolts</p>
Finishes	<p>● Satin Stainless Steel</p>

PAS24 Door Dimensions

PAS24 Note:

- Spyholes can be omitted or just one used.
- Letterplate can be removed.
- Height of Handle, Lock, Spyholes and Letterplate are fixed.
- Lock, Handle, Spyholes and Letterplate specification of product cannot be changed.



Drawings not to scale

Threshold (If required)

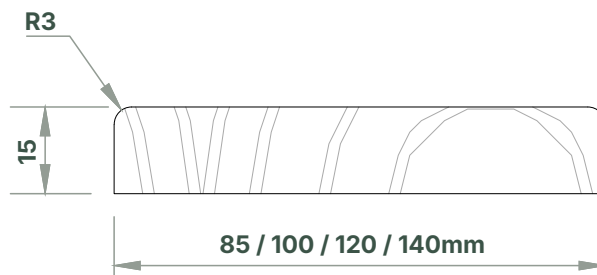
PAS24 Note:

- Minimum Threshold thickness is 10mm

15mm Threshold

Hardwood

15mm flat strip with width to suit frame



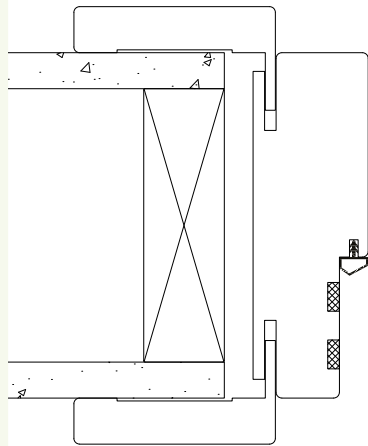
Drawings not to scale

Permitted Frame Installations

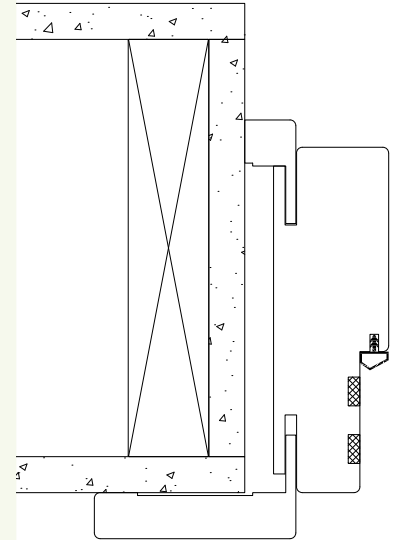
PAS24 Note:

The below diagrams are recommended, however architrave is not required for fire compliance. Quadrant detail is available on request as alternative to abutted architrave.

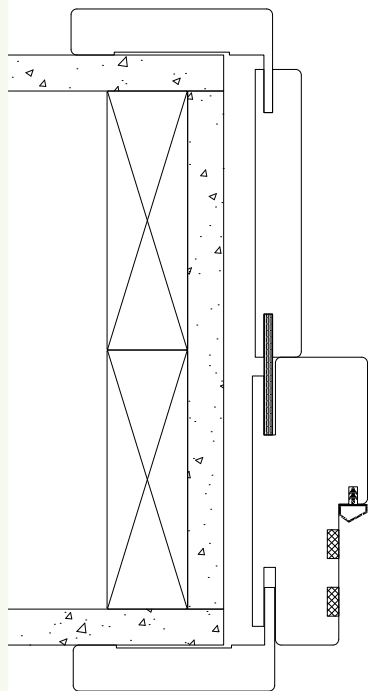
Instances where the door frame and the wall thickness are similar such that the architraves are fitted flat to both faces. Note that the minimum door frame section size (width and depth) must be 100mm



Instances where the wall thickness is greater than the frame and an extension lining is not preferred. The frame is flush to one face of the wall such that the pull side architraves are fitted flat to the wall face and the push side architraves are trimmed to abut the wall reveal face.



Instances where the wall thickness is greater than the frame (between 70mm and 110mm) and an extension lining is used. The frame is flush to one face of the wall such that the architraves are fitted flat to both faces.



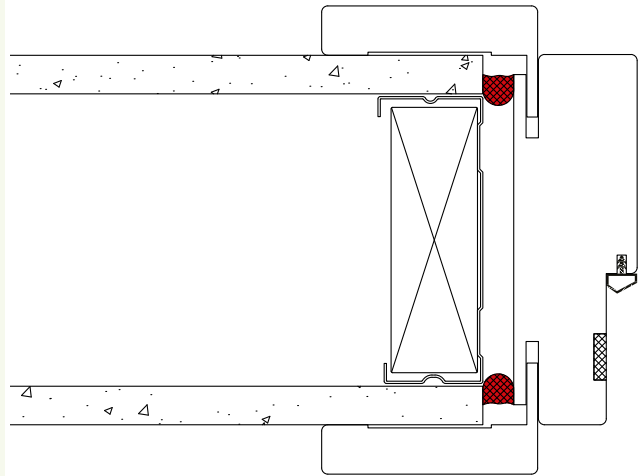
Drawings not to scale. For illustration purposes only, see installation guides for fitting instructions.

**Fire Stopping**

**1-10mm gaps**

Gap must be sealed on both sides with a 10mm penetration to the full width of the gap with acrylic intumescent sealant, fire tested for this application to BS 476: Part 22:1987 or BS EN 1634-1.

Timber architraves (minimum 10mm thick) must be fitted to both faces, with a minimum 15mm overlap to the surrounding structure.

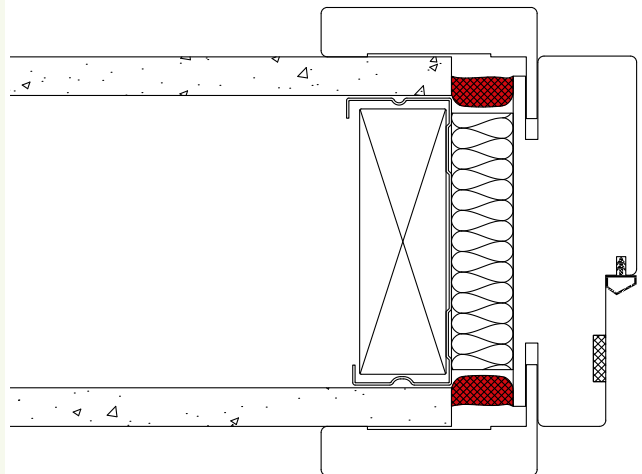


**10-20mm gaps**

Gap must be tightly packed with mineral fibre capped on both sides with a 10mm depth of acrylic intumescent mastic, (Fire tested for this application to BS 476: Part 22: 1987 or BS EN 1634-1).

Alternatively, as tested Nullifire FF197 fire rated PU Foam can be used (Must be full depth of the frame).

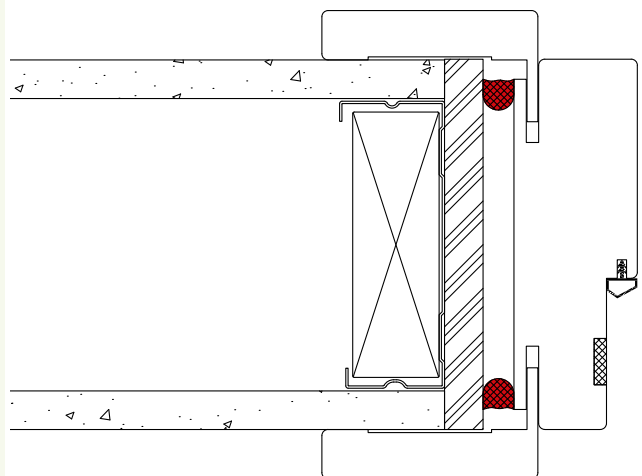
Timber architraves (minimum 10mm thick) must be fitted to both faces, with a minimum 15mm overlap to the surrounding structure.



**Maximum 25mm gaps**

A non-combustible subframe/liner (up to 40mm thick) should be fixed to the surrounding structure to reduce the gap to below 10mm and then follow the 1-10mm fire stopping procedure.


Timber architraves (minimum 10mm thick) must be fitted to both faces, with a minimum 15mm overlap to the surrounding structure.



Drawings not to scale

# Modulo PAS24 FD30 Timber Doorset

Product Datasheet

Door Leaf Finishes	Moducore BB (Stock)	Moducore BB (To order)
Ready to Paint	<input type="radio"/> Matt Paper	<input type="radio"/> Ready to Paint
Laminate Melamine faced MDF	<input type="radio"/> Chalk White	 Bespoke finishes available (Min. order qty applies)
Wood Grain Laminate or Melamine faced MDF	<input type="radio"/> Light Oak <input type="radio"/> Mid Oak	 Bespoke finishes available (Min. order qty applies)