



Modulo FD30 Timber Doorset

Glazed Side & Over Panels (uninsulated glass)

Product Datasheet

FD30 Configurations

Single Doorset

Latched, Single Action, Single Doorset (LSASD)
Unlatched, Single Action, Single Doorset (ULSASD)

Fire Rating

Up to FD30 **BS EN 1634-1:2014**

Smoke Rating

Included as standard **BS EN 1634-3:2004**

Door Weights

ModuCore BB (44mm) **24.5 kg/m²**

Door Leaves

ModuCore BB (Stock)

Minimum Height **1939mm**

Maximum Height **2040mm**

Standard Widths **711, 726, 762, 792, 810, 826, 838, 861, 892, 914, 926, 1026mm**

Door Core



Construction

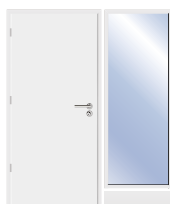
Solid timber blockboard core with 4mm MDF facings and ABS edging

Door Leaf Finishes - Please see end of Datasheet

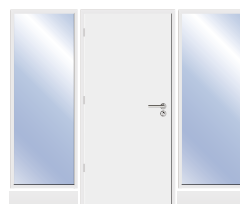
Configuration Options (1 of 2)



Side Panel
Full-width (Left)



Side Panel
Full-width (Right)



Side Panels
Full-width (Left & Right)



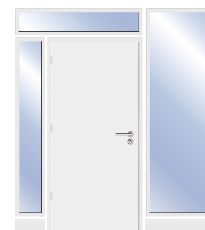
Side Panel
Full-width (Left)
Over Panel
Half-height (Door)



Side Panel
Full-width (Right)
Over Panel
Half-height (Door)



Side Panels
Full-width (Left)
Slimline (Right)
Over Panel
Half-height (Door+ Right)



Side Panels
Slimline (Left)
Full-width (Right)
Over Panel
Half-height (Door+ Left)



Side Panels
Full-width (Left)
Full-width (Right)
Over Panels
Half-height (Door)
Half-height (Right)




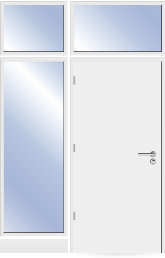



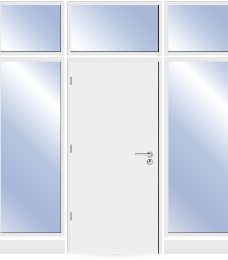


Side Panels
Full-width (Left)
Full-width (Right)
Over Panels
Half-height (Door)
Half-height (Left)



Side Panels
Full-width (Left)
Full-width (Right)
Over Panel
Half-height (Door)

Configuration Options (2 of 2)

			
<p>Side Panel -</p> <p>Over Panel Full-height (Door)</p>	<p>Side Panel Slimline (Left)</p> <p>Over Panel Full-height (Door+ Left)</p>	<p>Side Panel Slimline (Right)</p> <p>Over Panel Full-height (Door+ Right)</p>	<p>Side Panel Full-width (Left)</p> <p>Over Panels Full-height (Left) Full-height (Door)</p>
			
<p>Side Panels Full-width (Right)</p> <p>Over Panels Full-height (Door) Full-height (Right)</p>	<p>Side Panels Full-width (Left) Slimline (Right)</p> <p>Over Panels Full-height (Left) Full-height (Door+ Right)</p>	<p>Side Panels Slimline (Left) Full-width (Right)</p> <p>Over Panels Full-height (Door+ Left) Full-height (Right)</p>	<p>Side Panels Full-width (Left) Full-width (Right)</p> <p>Over Panels Full-height (Left) Full-height (Door) Full-height (Right)</p>

Glazed side panel must be a minimum of 100mm from the finished floor as required by Building Regulations.

Modulo FD30 Timber Doorset - Glazed Side & Over Panels

Product Datasheet

Side Panel & Over Panel Sizes

Over Panel	Max. Height At 904mm Wide	492mm	
	Max. Width At 410mm High	1084mm	
Side Panel	Max. Height At 705mm Wide	2277mm	
	Max. Width At 1898mm High	844mm	

Frame Sizes ModuFrame BB

	Frame Width	Wall Width
Blockboard FD30	100mm Certifire tested configuration	88mm - 115mm
	120mm	108mm - 135mm
	140mm	128mm - 155mm

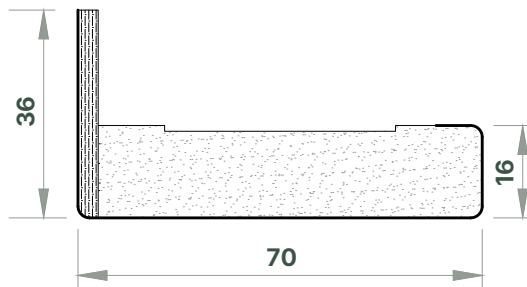
Drawings not to scale

Frame Finishes

Stock	RTP <input type="radio"/> Ready to Paint
To order	CPL Laminate <input type="radio"/> Light Oak <input type="radio"/> Mid Oak <input type="radio"/> Chalk White <input type="radio"/> Slate Grey <input type="radio"/> Bespoke finishes available (Min. order qty applies)

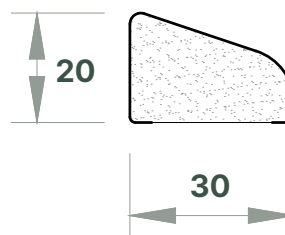
Architrave

Medium-density Fibreboard



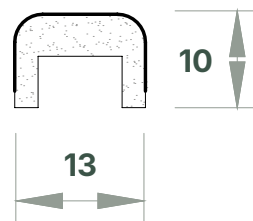
Quadrant

Medium-density Fibreboard



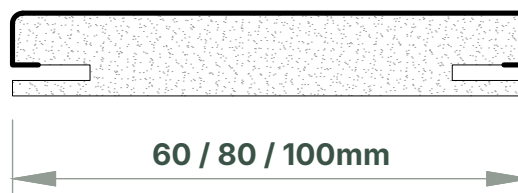
Capping

Medium-density Fibreboard



Extension Lining

Medium-density Fibreboard



Drawings not to scale

Architrave, Quadrant, Capping & Extension Lining Finishes

Stock

RTP

Ready to Paint

To order

CPL Laminate

Light Oak

Mid Oak

Chalk White

Slate Grey

Bespoke finishes available (Min. order qty applies)

Modulo FD30 Timber Doorset - Glazed Side & Over Panels

Product Datasheet

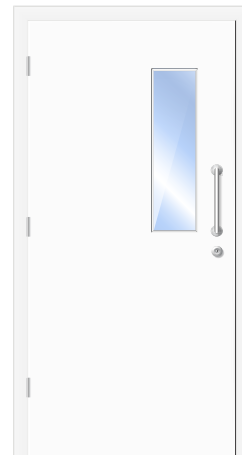
SEL-PDS-00039 | Rev. 8

Ironmongery	Description	Part No.
Hinges	102 × 76mm G13 SSS BB Butt Hinge Rad Corners	SEL-PRT-01766
Closers	Overhead Door Closer EN3 Overhead Door Closer EN2-4 BC EN2-4 Scissor Arm Closer +Backcheck Function (Satin Nickel) EN2-4 Scissor Arm Closer +Delayed Action & Backcheck (Silver) EN2-5 Scissor Arm Closer Basic (Satin Nickel) EN2-5 Scissor Arm Closer +Delayed Action & Backcheck (Satin Nickel) Electromag Hold Open Closer Responder24 EN4 (Satin Nickel) EN2-4 Cam Action Slide Arm Closer (Satin Nickel)	SEL-PRT-02574 SEL-PRT-02575 TBC SEL-PRT-04575 SEL-PRT-02577 SEL-PRT-02576 SEL-PRT-02568 SEL-PRT-02647
Latches/Locks	DIN Standard Mortice Latch DIN Standard Mortice Sashlock DIN Standard Mortice Deadlock 76mm Tubular Latch Mechanical Codelock with lever handle (FD30) FB1/FB2 Mortice Fire Brigade Lock (without Key) FB1/FB2 Key	SEL-PRT-02244 SEL-PRT-02248 SEL-PRT-02246 SEL-PRT-02133 SEL-PRT-02634 SEL-PRT-02255 - SEL-PRT-02257 SEL-PRT-02254 - SEL-PRT-02256
Lever handles	19mm RTD SSS Levers on Round Rose	SEL-PRT-02542
Pull handles	425 × 19mm SSS B/F 'D' Pull Handle Customers own (subject to approval)	SEL-PRT-02034 N/A
Pushplate	500 × 90mm SSS Finger Plate Sq Corners	SEL-PRT-02044
Kickplate	200mm high x 1.2mm SSS Kickplate Sq Corners (to suit door width)	SEL-PRT-02023 - XXXX
Cylinders	70mm SC Euro Double Cylinder KD 70mm SC Euro Cylinder & Thumbturn KD	SEL-PRT-01247 SEL-PRT-01409
Escutcheons	52 × 8mm SSS Euro Profile Escutcheon 52 × 8mm SSS Blank Escutcheon Euro Cylinder Pull SSS	SEL-PRT-02048 SEL-PRT-02050 SEL-PRT-02253
Signage	76mm Dia' Automatic Fire Door Keep Clear (AFDKC) 76mm Dia' Fire Door Keep Locked (FDKL) 76mm Dia' Fire Door Keep Shut (FDKS) 76mm Dia' Disabled Symbol 76mm Dia' Female Symbol 76mm Dia' Male Symbol 76mm Dia' Unisex Symbol 76mm Dia' WC Symbol 76mm Numeral Self-Adhesive. 0-9 and A, B & C	SEL-PRT-02565 SEL-PRT-02117 SEL-PRT-02118 SEL-PRT-02566 SEL-PRT-02569 SEL-PRT-02572 SEL-PRT-02579 SEL-PRT-02580 SEL-PRT-02119 - SEL-PRT-02131
Dropseal	Concealed Dropseal (to suit door width)	SEL-PRT-02497 - SEL-PRT-02507

As standard, ironmongery is 'Satin Stainless Steel' style.

Ironmongry not covered by Certifire certification.

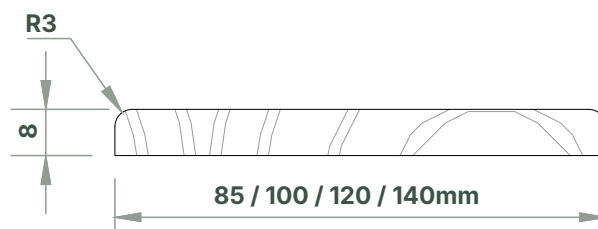
Vision Panels



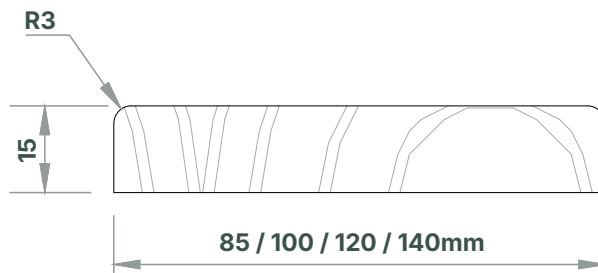
Reference	Type A	Type B
Clear vision dimensions	1470×170mm	745×170mm
Glass	7mm (nominal) uninsulated clear laminated	
Margins	150mm of margin to top and leading edge of door leaf	
Minimum door width	526mm - Contact Selo if a smaller width door is required	
Finishes	<ul style="list-style-type: none"> Lacquered Oak - Used in all finished laminate door leaves White Primed - Used in RTP door leaves 	

Threshold (If required)

8mm thick
Hardwood, flat strip with width to suit frame



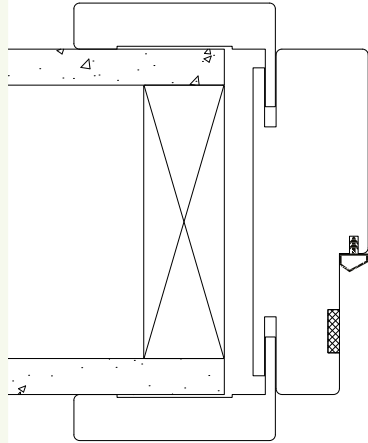
15mm thick
Hardwood, flat strip with width to suit frame



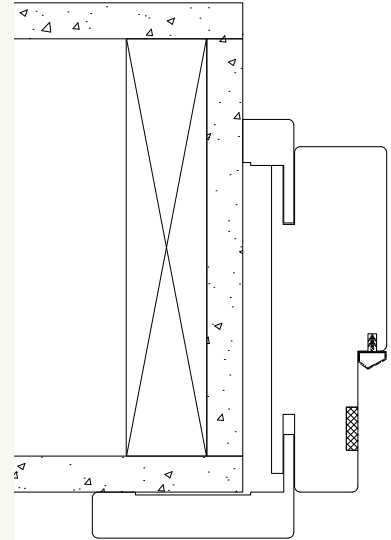
Drawings not to scale

Permitted Frame Installations

Instances where the door frame and the wall thickness are similar (-12mm to +15mm) such that the architraves are fitted flat to both faces. Note that the minimum door frame section size (width and depth) must be 100mm.



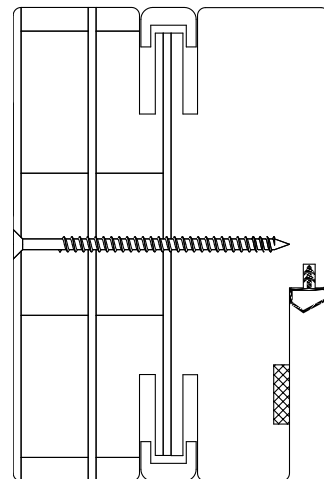
Instances where the wall thickness is greater than the frame and an extension lining is not preferred. The frame is flush to one face of the wall such that the pull side architraves are fitted flat to the wall face and the push side architraves are trimmed to abut the wall reveal face.



Door Frame to Glazing Frame

Permitted method of fixing the glazing frame into the door frame. The glass is fitted after the frames have been fixed securely together.

7mm (nominal) uninsulated clear laminated glass.



Drawings not to scale

Note: Architrave must always be fitted in accordance with the Field of Application. Fire stopping must always be fully covered by the architrave. Quadrant detail is available on request as alternative to trimmed abutted architrave.

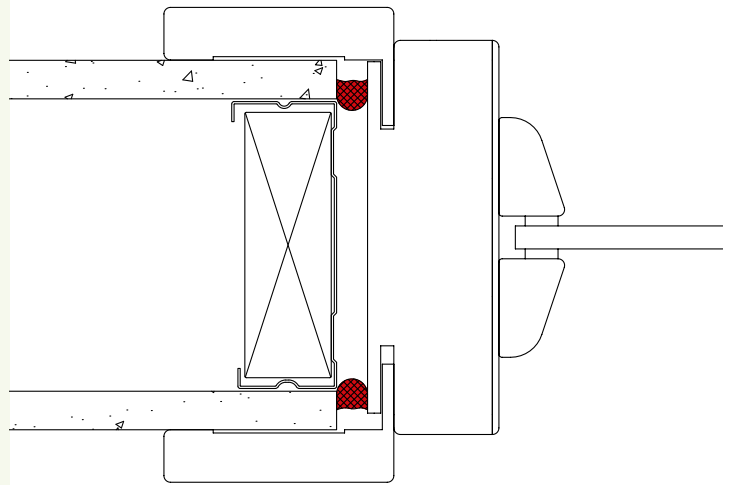
Fire Stopping

1-10mm gaps

Best practice

Gap must be sealed on both sides with a 10mm penetration to the full width of the gap with acrylic intumescent sealant, fire tested for this application to BS 476: Part 22:1987 or BS EN 1634-1.

Timber architraves may be fitted to one or both faces.

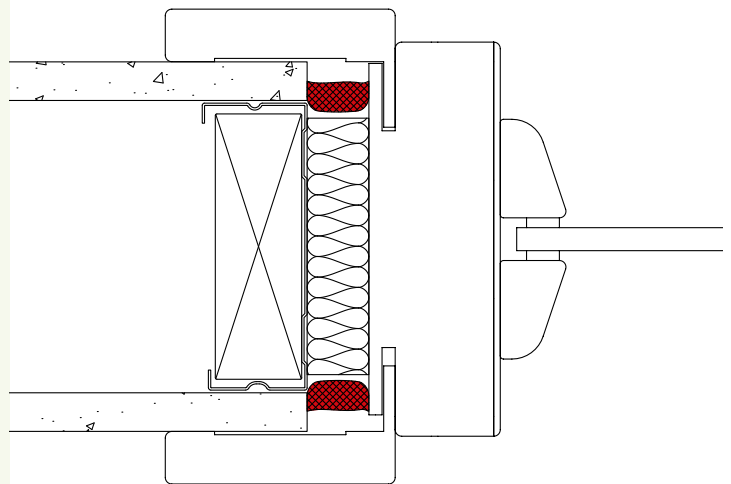


10-20mm gaps

Gap must be tightly packed with mineral fibre capped on both sides with a 10mm depth of acrylic intumescent mastic, (Fire tested for this application to BS 476: Part 22: 1987 or BS EN 1634-1).

Alternatively, as tested Nullifire FF197 fire rated PU Foam can be used (Must be full depth of the frame).

Timber architraves may be fitted to one or both faces.

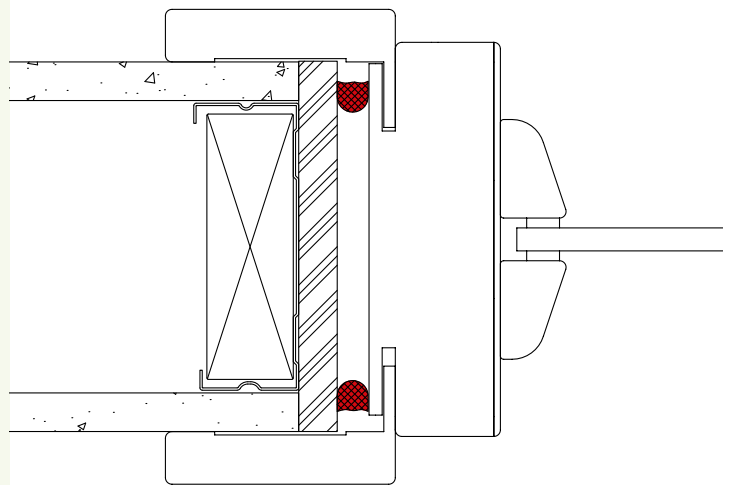


20mm gaps

Ensure security is maintained if gaps are this size

A non-combustible subframe/liner (up to 40mm thick) should be fixed to the surrounding structure to reduce the gap to below 10mm and then follow the 1-10mm fire stopping procedure.


Timber architraves may be fitted to one or both faces.



Drawings not to scale

Modulo FD30 Timber Doorset - Glazed Side & Over Panels

Product Datasheet

Door Leaf Finishes	Moducore BB (Stock)	Moducore BB (To order)
Ready to Paint	<input type="radio"/> Matt Paper	<input type="radio"/> Ready to Paint
Laminate Melamine faced MDF	<input type="radio"/> Chalk White	 Bespoke finishes available (Min. order qty applies)
Wood Grain Laminate or Melamine faced MDF	<input type="radio"/> Light Oak <input type="radio"/> Mid Oak	 Bespoke finishes available (Min. order qty applies)